

High torque motor spindle

BMS-5010 BMS-5010RA



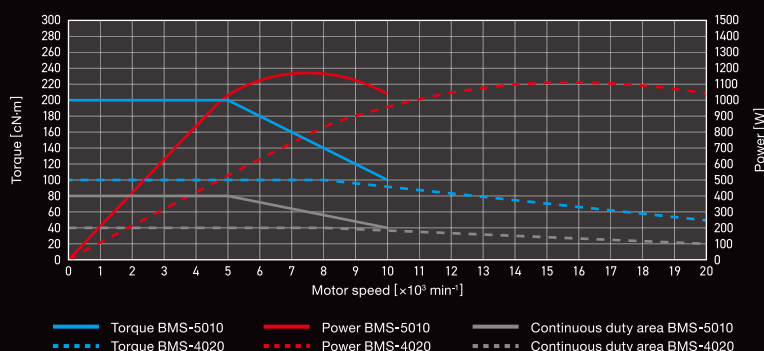
The highest torque in Nakanishi motor spindles

Suitable for deburring, polishing, and other processes!

Features 1

The highest torque in Nakanishi products

Twice the torque (up to 2 N·m) compared with the current BMS-4020



Features 2

Compact & lightweight

Compact body with outer diameter of 50 mm and weight of BMS-5010 is 2.4 kg*.

*BMS-5010RA weighs 2.8 kg

Features 3

Maximum tool shank: 13 mm

By using REGO-FIX ER20/ER20UP collets, tools with a shank diameter of 13 mm can be used. Collet is not included.

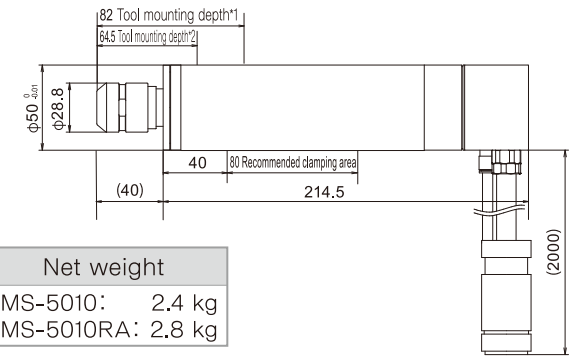
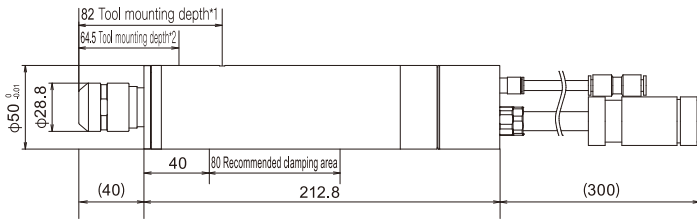
Specifications

Code No.: 7912

Model: BMS-5010

Code No.: 7913

Model: BMS-5010RA



O.D.	Max. motor speed	Spindle accuracy	Max. power	Net weight
50 mm	10,000 min ⁻¹	Within 1 μm	1,200 W	BMS-5010: 2.4 kg BMS-5010RA: 2.8 kg

Standard equipment and accessories Collet nut CHN-20: 1 pc., Wrench 22 × 27: 2 pcs.

*Collet is not included. We recommend the use of ER20/ER20UP manufactured by REGO-FIX.

*1 For shaft diameter less than 8.6 mm
*2 For shaft diameter from 8.6 to 13 mm

! Note to customers who already have an E4000 controller

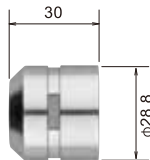
Non applicable controller
 Applicable controller
 If BMS-5010/BMS-5010RA are connected to non-applicable controller, it will not rotate.

Option

[Collet nut]

Code No.: 7914

Model: CHN-20

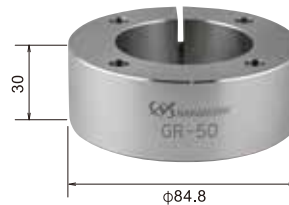


[Grip ring]

Code No.: 1889

Model: GR-50

Net weight: 785 g



Mounted on BMS-5010

Processing data

Drilling (No pecking, oil-based coolant VG 22)

Work material	Tool diameter (mm)	Hole depth (mm)	L/D	Cutting speed (m/min)	Motor speed (min ⁻¹)	Feed rate (mm/rev)	Feed speed (mm/min)	Processing time (sec)
A5052 (Aluminum alloy)	7.0	21	3.0	198	9,000	0.13	1,200	1.1

End milling (Mist coolant)

Work material	Tool diameter (mm)	Processing method	Cutting speed (m/min)	Motor speed (min ⁻¹)	Feed rate (mm/rev)	Feed speed (mm/min)	Cutting depth ap × ae (mm)
A5052 (Aluminum alloy)	12.0	Side cutting	324	8,600	0.14	1,200	18 × 0.6

Combination example

Collet nut	Collet	Motor spindle	Motor cord	Controller	Air line kit
 CHN-20	 [Recommended] REGO-FIX ER20/ER20UP φ1.0-φ13.0 mm	 BMS-5010 BMS-5010RA + Grip ring GR-50	Power cable 2 m/4 m 6 m/8 m EMCD-4000-2M/4M/6M/8M + Signal cable 2 m/4 m 6 m/8 m EMCD-4000S-2M/4M/6M/8M	 E4000 CONTROLLER	 AL-C1204 *Supply cooling air



NAKANISHI INC.

700 Shimohinata, Kanuma, Tochigi 322-8666, Japan
TEL: +81 289 64 3280 FAX: +81 289 62 1135

en.nakanishi-spindle.com
NAKANISHI INC. 2023

PR-K390E Ver.1 2023-12-19 XX. ☺ XXXX

