

Air Motor Spindle MSS - 19 · 20 · 22 Series

OPERATION MANUAL

OM-K0444E 004

Thank you for purchasing the Air Motor Spindle "MSS - 19 · 20 · 22 series". These Air Motor Spindles are designed for drilling, milling, and grinding with a NC lathe or a special purpose machine. The Air Line Kit (with lubricator) and compressor are required to drive these Air Motor Spindles. Read this and all the associated component Operation Manuals carefully before use. Always keep this Operation Manual in a place where a user can referred to for reference at any time.

1. CAUTIONS FOR HANDLING AND OPERATION

- Read these warnings and cautions carefully and only use in the manner intended.
- These warnings and cautions are intended to avoid potential hazards that could result in personal injury to the operator or damage to the device. These are classified as follows in accordance with the seriousness of the risk.

Class	Degree of Risk
WARNING	A safety hazard could result in bodily injury or damage to the device if the safety instructions are not properly followed.
CAUTION	A hazard that could result in light or moderate bodily injury or damage to the device if the safety instructions are not followed.

WARNING

- This Air Motor Spindle is not a hand tool. It is designed to be used on CNC machines or special purpose machines.
- Do not touch the cutting tool while it is running. It is very dangerous.
- Wear safety glasses, dust mask, and use a protective cover around the Air Motor Spindle whenever the Air Motor Spindle is rotating.
- Never operate or handle the Air Motor Spindle until you have thoroughly read the Operation Manuals and safe operation has been confirmed.
 - To prevent injuries / damages, check the Air Motor Spindle and cutting tool for proper installation, before operating the Air Motor Spindle.
 - Before disconnecting the Air Motor Spindle, always turn the control power off and turn the compressed air supply off. Then it is safe to remove the Air Motor Spindle.
- When installing a tool, tighten the collet correctly and check again the collet and collet nut before use. Do not over-tighten the collet. This may cause damage to the spindle.
- Do not use bent, broken, chipped, out of round or sub-standard tools, as this may cause them to shatter or explode. Tools with fractures or a bent shank will cause injury to the operator. When using a new tool, rotate it in a low speed and increase speed gradually for safety.
- Do not exceed the maximum recommended allowable tool speed. For your safety, use speeds below the maximum allowable speed.
- Do not apply excessive force. This may cause tool slippage, tool damage, injury to the operator or loss of concentricity and precision.

CAUTION

- Do not drop or hit this Air Motor Spindle, as shock can damage to the internal components.
- Before use, carefully read "Air Line Kit Operation Manual" regarding the correct connection, operation and cautions when using the Air Line Kit.
- Be sure to clean the collet and collet nut, the inside of the spindle before replacing the tool. If ground particles or metal chips stick to the inside of spindle or the collet, damage to the collet or spindle can occur due to the loss of precision.
- When cleaning a Air Motor Spindle, stop the Air Motor Spindle and remove debris with a soft brush or a cloth. Do not blow air into the dust proof cover area (refer to section "6 - 2 Outside View") with compressed air as foreign particles or cutting debris may get into the ball bearing.
- Always clean the tool shank before installing the tool in the spindle.
- When sizing the correct collet size to the tool shank diameter, a tolerance of +0 ~ -0.01mm is strongly recommended. A tool shank within the +0 ~ -0.1mm range is mountable, however, this may cause poor concentricity and or insufficient tool shank gripping force.
- Operating the Air Motor Spindle in low Lubricant conditions will cause low rotation speed, damage to the internal components and shorter life of the Air Motor Spindle.
- Be sure to drain moisture and condensation from the Air Line Kit (air filter bowl) regularly to avoid moisture being carried to the Air Motor Spindle. This may cause damage to the Air Motor Spindle.
- Select suitable products or tools for all applications. Do not exceed the capabilities of the Air Motor Spindle or tools.
- Do not stop the Air Motor Spindle while coolant spray is being applied to the cutting tool. Removing the air pressure from the Air Motor Spindle causes a loss of purging, allowing the Air Motor Spindle to ingest coolant. This will cause damage to the Air Motor Spindle.
- Carefully direct coolant spray to the tool. Do not spray directly on the Air Motor Spindle body. If large amount spray directly on the Air Motor Spindle, it may cause excess load of the motor rotation with loss of durability to the Air Motor Spindle.
- Stop working immediately when abnormal rotation or unusual vibration are observed. Immediately, please check the content of section "13. TROUBLESHOOTING".
- Always check if the tool, collet, collet nut, connection hose and supply air / oil hose for damaged before and after operating.
- If the collet or collet nut show signs of wear or damage, replace them before a malfunction or additional damage occurs.
- After installation, repair, initial operation, or long periods of non operation, please carry out break-in as follow. Start rotating slowly and over a short period of 15 - 20minutes, increase speed gradually until allowable maximum speed.
- Do not disassemble, modify or attempt to repair this Air Motor Spindle. Additional damage will occur to the internal components. Service must be performed by NSK NAKANISHI or an authorized service center.
- When using this Air Motor Spindle for mass production, please consider the purchase of an additional Air Motor Spindle to be used as a back-up in case of emergency.
- Securely connect the compressor supply connection hose and the air / oil supply hose to the Air Line Kit and the Air Motor Spindle to avoid accidental disconnection during use.

2. BASIC PACKAGE

When opening the package, check if it includes all items listed in "Table.1 Packing List Contents". In the event of any shortage, please contact either NAKANISHI (see the "4. CONTACT US" section) or your local dealer.

Table. 1 Packing List Contents

Item	Quantity
Air Motor Spindle	1pc.
Collet ϕ 3.0mm (CHA - 3.0) or ϕ 3.175mm (CHA - 3.175)	1pc.*
Collet Nut (CHN - A)	1pc.*

Wrench (8 x 5) (9 x 11) 1pc. Each.	Supply Air / Oil Hose (with Filter Joint), Exhaust Air / Oil Hose (with Silencer) R Type : K - 221 · 1pc. (Double - barreled) RA Type : K - 215, K - 216 · 1pc. Each.
Joint · 2pcs. (RA Type only)	Inspection Card · 1pc.
	Operation Manual · 1set

* The collet and collet nut are attached to the Air Motor Spindle.

< Filter Joint and Silencer suitable for Model >

Filter Joint	FJ - 01	MSS - 1930R / MSS - 1930RA / MSS - 1908R / MSS - 1908RA / MSS - 1902R / MSS - 1902RA / MSS - 2030R / MSS - 2030RA / MSS - 2008R / MSS - 2008RA / MSS - 2002R / MSS - 2002RA / MSS - 2230RA / MSS - 2208RA / MSS - 2202RA
	FJ - 02	MSS - 2230R / MSS - 2208R / MSS - 2202R
Silencer	K - 208	RA Type
	K - 209	R Type

3. WARRANTY

We provide a limited warranty for our products. We will repair or replace the products if the cause of failure is due to the following manufactures defects. Please contact us or your local distributor for details.

- Defect in manufacturing.
- Any shortage of components in the package.
- Where damaged components are found when initially opening the package. (This shall not apply if the damage was caused by the negligence of a customer.)

4. CONTACT US

For your safety and convenience when purchasing our products, we welcome your questions. If you have any questions about operation, maintenance and repair of the product, please contact us.

Contact Us

For U.S. Market	Company Name	: NSK America Corp
	Business Hours	: 8:30am to 17:00pm (CST) (closed Saturday, Sunday and Public Holidays)
	U.S. Toll Free No.	: 800-585-4675
	Telephone No.	: 847-843-7664
	Fax No.	: 847-843-7622
	Web Address	: www.nskamericacorp.com

For Other Markets	Company Name	: NAKANISHI INC.
	Business Hours	: 8:00am to 17:00pm (closed Saturday, Sunday and Public Holidays)
	Telephone No.	: +81 (0) 289-64-3520
	e-mail Address	: webmaster-ie@nsk-nakanishi.co.jp

5. FEATURES

- No heat is generated for long continuous use due to air driven operation.
- The Air Motor Spindle housing is made from precision ground, hardened, stainless steel (SUS) with an outside diameter of ϕ 19.05mm, ϕ 20mm and ϕ 22mm. Installation to a special purpose machine is made easy.
- By mounting a silencer on the back exhaust air / oil hose, the quiet operation of air turbine is remarkably improved.
- Various sizes of collets are available CHA 0.5mm - 4.0mm. Standard collet is CHA 3.0mm or CHA 3.175mm. (For U.S. market CHA 3.175mm.)

6. SPECIFICATIONS AND DIMENSIONS

6 - 1 Specifications

Model	MSS - 1930R / MSS - 1930RA	MSS - 2030R / MSS - 2030RA	MSS - 2230R / MSS - 2230RA	MSS - 1908R / MSS - 1908RA	MSS - 2008R / MSS - 2008RA	MSS - 2208R / MSS - 2208RA	MSS - 1902R / MSS - 1902RA	MSS - 2002R / MSS - 2002RA	MSS - 2202R / MSS - 2202RA	
Maximum Motor Rotation Speed	30,000min ⁻¹ (rpm)			8,000min ⁻¹ (rpm)		2,000min ⁻¹ (rpm)				
Spindle Accuracy	Less than 2 μ m									
Appropriate Air Pressure	0.3 - 0.5MPa (43.5 - 72.5psi)									
Air Consumption	155N ℓ /min									
Weight	R Type	171 g	190 g	232 g	202 g	225 g	275g	216 g	241g	290g
	RA Type	219 g	239 g	280 g	250 g	274 g	323 g	264 g	290g	338 g
Noise Level at 1m distance	Less than 75dB (A)									
Air hose Diameter	R Type	Supply hose : I.D. ϕ 3.7mm x O.D. ϕ 5.7mm Length 2 m			Exhaust hose : I.D. ϕ 5.0mm x O.D. ϕ 6.5mm Length 1m					
	RA Type	Supply hose : I.D. ϕ 4.0mm x O.D. ϕ 6.0mm Length 2 m			Exhaust hose : I.D. ϕ 6.0mm x O.D. ϕ 8.0mm Length 1m					
Operation Environment	Temperature		Humidity		Atmospheric Pressure					
Transportation and Storage Environment	0 - 40°C		MAX.75% (No condensation)		700 - 1,060hPa					
	-10 - 50°C		10 - 85%		500 - 1,060hPa					

< Option >

Collet (CHA - □□)	ϕ 0.5mm - ϕ 4.0mm in 0.1mm increments and ϕ 2.35mm, ϕ 3.175mm
Collet Nut	CHN - A
Metal Saw Arbor (KCH - 01A)	For I.D. ϕ 6mm x O.D. ϕ 30mm
Grindstone Arbor (AGM - 01A)	For grinding wheel with I.D. of ϕ 5mm

6 - 2 Outside View

① MSS - 1930 / MSS - 2030 / MSS - 2230

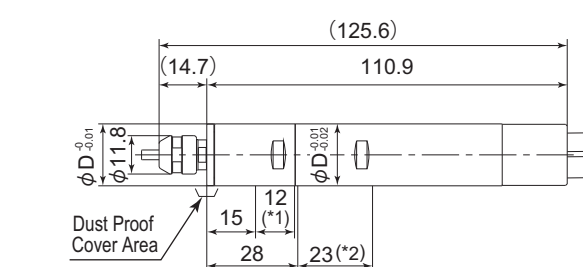


Fig. 1 R Type

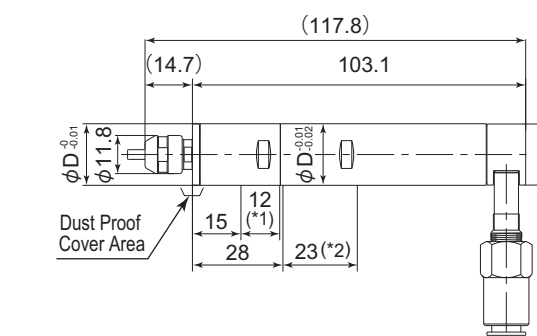


Fig. 2 RA Type

② MSS - 1908 / MSS - 2008 / MSS - 2208

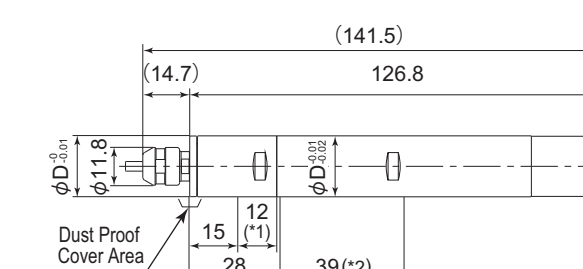


Fig. 3 R Type

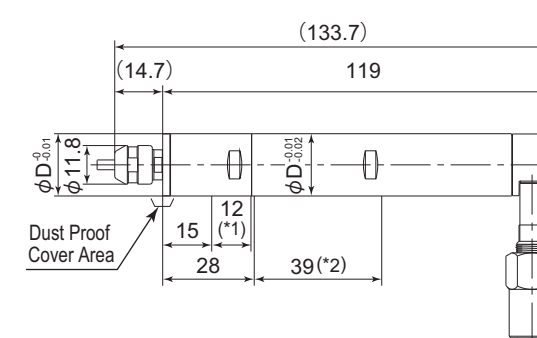


Fig. 4 RA Type

③ MSS - 1902 / MSS - 2002 / MSS - 2202

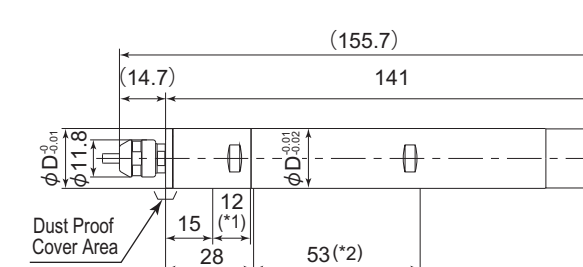


Fig. 5 R Type

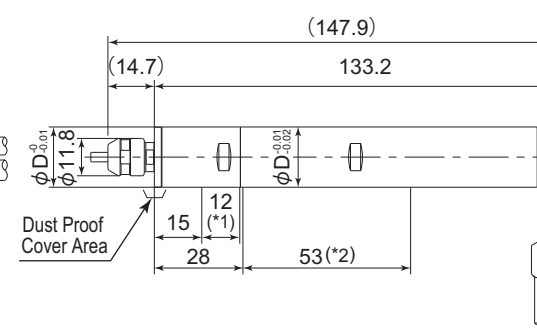


Fig. 6 RA Type

Table. 2

Series Name	MSS - 19	MSS - 20	MSS - 22
Outside Diameter ϕ D	ϕ 19.05mm	ϕ 20mm	ϕ 22mm

Table. 3

Clamping Area ①	Clamping Area ②
* 1	* 2

6 - 3 Torque Characteristics

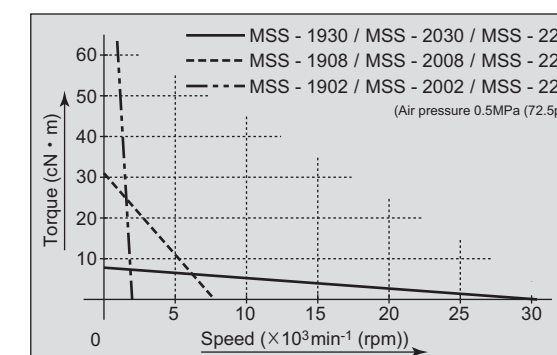


Fig. 7

7. CHANGING THE TOOL

CAUTION

Do not tighten the collet without inserting a tool or dummy bur, as this will damage the collet, spindle or collet nut, causing difficulty removing the collet.

RECOMMENDATION

Please set the cutting tools to minimize the overhang amount. 13mm is the maximum amount of overhang to maintain high accuracy and safety.

- Set the provided 8mm wrench on the spindle.
- Place the provided 11mm wrench on the collet nut and turn it counter-clockwise to loosen the collet and remove the tool. (The first turn will loosen the collet nut, but the tool will not release and turning will become stiff. Keep turning through the stiffness and the collet will open.)
- Clean the collet and collet nut, then insert the new tool and tighten the collet by turning clockwise. Do not over-tighten.

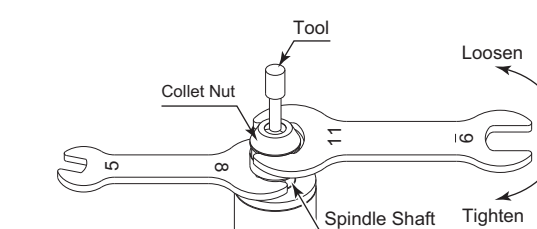


Fig. 8

8. REPLACING THE COLLET

CAUTION

When installing the collet into the collet nut, be sure to fully engage the latch inside the collet nut to the groove on the collets outer diameter area. In addition, remember that if the collet is attached without being engaged with the latch of the collet nut, the collet cannot be removed and this may cause damage to the collet or the spindle.

- Remove the tool according to the section "7. CHANGING THE TOOL" procedure above and remove collet nut assembly (Fig. 9).
- The collet and collet nut are secured by a groove in the collet and a flange in the collet nut. To remove the collet hold the collet nut in one hand and push diagonally down on the collet. The collet should be released (Fig. 10).
- To install the collet, hold the collet at a slight angle, and insert it into the collet nut (Fig. 11). Press the collet in the collet nut by positioning the collet in the collet nut and pressing down on flat surface (Fig. 10). Be sure to fully engage the latch inside the collet nut into the groove on the collets outer circumference area (Fig. 12).

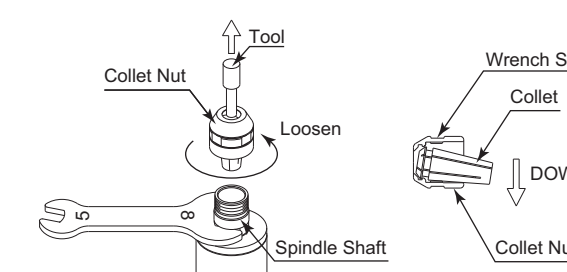


Fig. 9

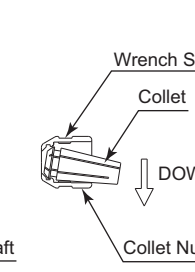


Fig. 10

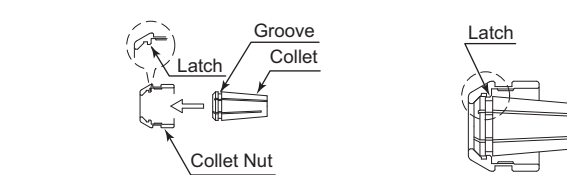


Fig. 11

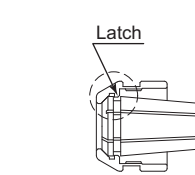


Fig. 12

9. INSTALLATION OF THE AIR MOTOR SPINDLE

CAUTION

- When installing an Air Motor Spindle, do not hit, drop or cause shock to the Air Motor Spindle. This may cause damage to internal components and result in malfunctions.
- When mounting the Air Motor Spindle, be sure to secure within Clamping Area etched on the Air Motor Spindle O.D. If the Air Motor Spindle is installed incorrectly, damage to the internal components is possible.
- Cautions when tightening the securing bolts on to a Split Type Holder
Do not over-tighten the bolt. This will cause damage to Air Motor Spindle's precision. Tighten the bolt until the Air Motor Spindle body can not be rotated by hand within the fixture. Extreme tightening is not necessary or recommended.
Apply working force and check that the Air Motor Spindle is tight before using.

- When mounting an Air Motor Spindle, refer to the Clamping Area etched on the Air Motor Spindle. These Air Motor Spindle have 2 Clamping Area refer to "6 - 2 Outside View (Fig. 1 - Fig. 6).
- When installing an Air Motor Spindle to the holder, recommended installation method is shown Fig 13. Refer to "③ How to fabricate the Split Type Holder".
If this is not possible, install as shown in Fig. 14.

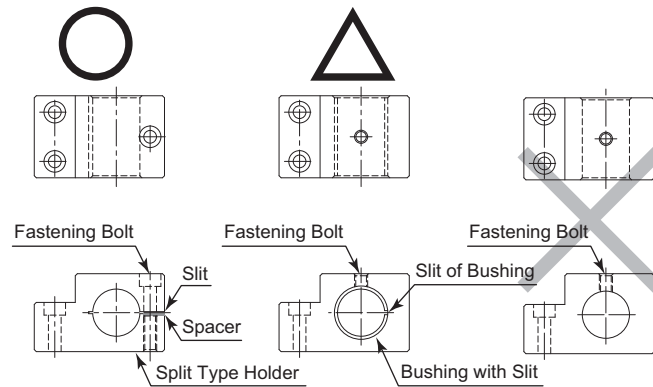


Fig. 13

Fig. 14

Fig. 15

CAUTION

- Do not allow set screws to come directly in contact with the Air Motor Spindle body as shown in Fig. 15, as this will result in damage to the Air Motor Spindle housing and internal components.
When installing, never clamp directly over the bearings, as this will result in bearing damage. (Refer to Fig. 16)

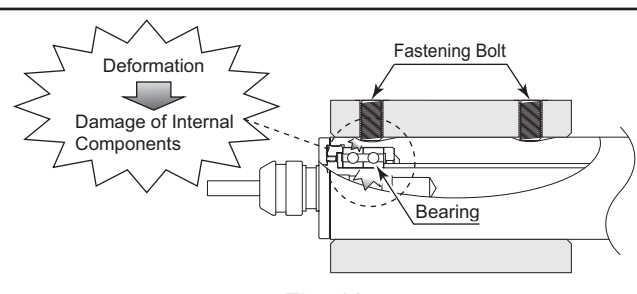


Fig. 16

- How to fabricate the Split Type Holder
 - Rough bore the inside diameter of the Split Type Holder.
 - Cut a slit. (Ex. Slit 2mm) wide.
 - Tighten the Screw for Removal and Force Open the Slit Area.
 - Insert a spacer (Ex. thickness = 2mm) into the Slit Area.
 - Loosen the Screw for Removal, and tighten the fastening bolt with its specified torque.
 - Finish the Split Type Holder so that the inside diameter of the Split Type Holder is Air Motor Spindle's outside diameter (Refer to Table 4). The correct tolerance range for the holder is - 0.01mm to - 0.015mm and a roundness and cylindricity of less than 5µm.

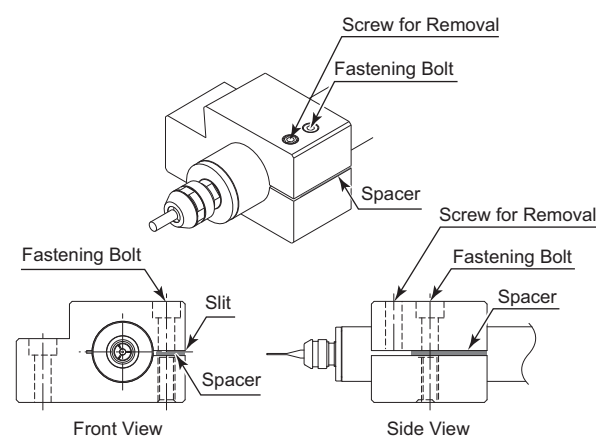


Fig. 17

Table 4

Clamping Area	Outside Diameter of Air Motor Spindle	Tolerance of Inside Diameter
Clamping Area ①	φ 19.05	0 -0.01
	φ 20	-0.01 -0.015
Clamping Area ②	φ 22	-0.01 -0.02
	φ 22	-0.02 -0.025

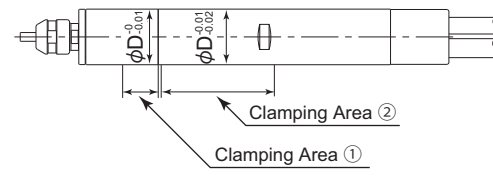


Fig. 18

- When inserting the Air Motor Spindle loosen the Fastening Bolt, and tighten the Screw for Removal, widening the Slit Area.

CAUTION

- The final responsibility for ensuring holder's safety for use in a given application is left to the designer of the equipment in which NAKANISHI's Air Motor Spindle is installed. NAKANISHI offers Air Motor Spindle with a wide variety of capabilities and specifications. Please carefully check the Air Motor Spindle's specifications against the requirements of your equipment and verify suitability and safety of the Holder prior to initial use.

10. INSTALLATION OF THE JOINT (RA TYPE)

CAUTION

- The standard length of supply air / oil hose is 2m, and exhaust air / oil hose is 1m. When the supply and exhaust air / oil hose is longer than the standard length, the rotating speed is decreased.

- Insert the Air Motor Spindle to the front of the holder and fix the Air Motor Spindle.
- Mount the joint (1pc. Each) to the air Inlet port and air outlet port of the Air Motor Spindle.
- Insert the Supply and Exhaust Air / Oil Hose to the Quick Disconnect joint of the Air Motor Spindle.

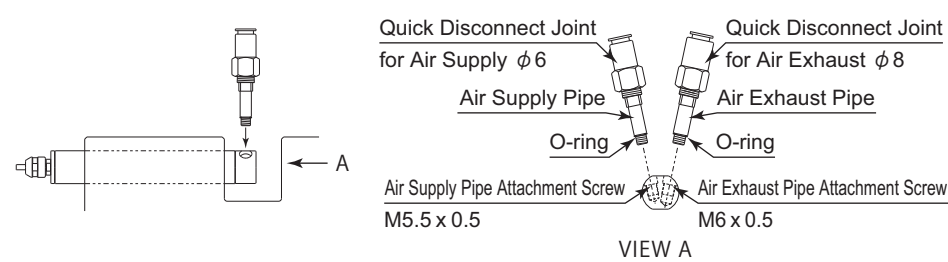


Fig. 19

11. CONNECTION TO THE AIR LINE KIT

CAUTION

- Make sure to turn the compressed air supply to the Air Line Kit OFF, before replacing the Lubricating Oil or draining the water in Lubricating Oil.

- Connect the Filter Joint of the supply air / oil hose to the Secondary Joint (φ6 One - Touch Joint) of the Air Line Kit (Fig. 20 ①).
- Fill Oil Reservoir through the Oil Filler Cap with recommended NAKANISHI Lubricating Oil (K - 211 : Air Line Kit's Standard Accessories) to Upper Limit. Disconnect from air supply prior to opening Oil Filler Cap. Do not over or under fill.
- Connect the connection hose (Air Line Kit's Standard Accessories) to the Primary Joint of the Air Line Kit and Compressor (Fig. 20 ②).
- Supply air from the air compressor and turn the Regulator Knob to set air pressure between 0.3 - 0.5 MPa (43.5 - 72.5psi).
- Turn the ON / OFF Valve and rotate the Air Motor Spindle with recommended proper air pressure. Adjust the Oil Drip Rate to the recommended volume which is 1 to 3 drops / min (Commercially Air Line Kit is same Oil Drip Rate).
(If using the "AL - 0304 " or " K - 239 " Air Line Kit, adjust the proper Oil Drip Rate to 30 - 40 drops / min).
※ Refer to the Operation Manual of the Air Line Kit for detailed information.
- Be sure to adjusted to proper Oil Drip Rate before using the Air Motor Spindle.

Lubricating Oil

Use ISO VG15 Liquid Paraffin (Shell Ondina Oil #15) in the Air Line Kit lubricator bowl. (For U.S.A. specification, use Chevron Superla #9).

Model
• Lubricating Oil (K - 211) 70cc
• Lubricating Oil (K - 202) 1ℓ

CAUTION

- When connecting the Compressor and Air Line Kit, recommended install the air filter or air dryer to between Compressor and Air Line Kit in order to supply clean dry air to the Air Motor Spindle. Using compressed air containing excessive moisture could result in malfunction or failure of the Air Motor Spindle. If excessive moisture or condensation are found in Air Filter Bowl, it will be necessary to install a dryer and larger Air Filter on the Primary Joint side of the Air Line Kit to prevent and remove excessive moisture.
- Connect the input air supply connection hose and supply air / oil hose securely to avoid accidental disconnection during use. Input air pressure should never exceed 1.0MPa (145psi). Air pressure exceeding 1.0MPa (145psi) may cause the supply connection hose and air / oil hose supply to rupture.
- Make sure operation air pressure is less than 1.0MPa (145psi) before connecting the input supply connection hose and air / oil supply hose. If operation air pressure is exceeds 1.0MPa (145psi), injury to the operator may occur by accidental disconnection before or during use.
- Before use, carefully read " Air Line Kit Operation Manuals " regarding the correct connection, operation and cautions when using the Air Line Kit.

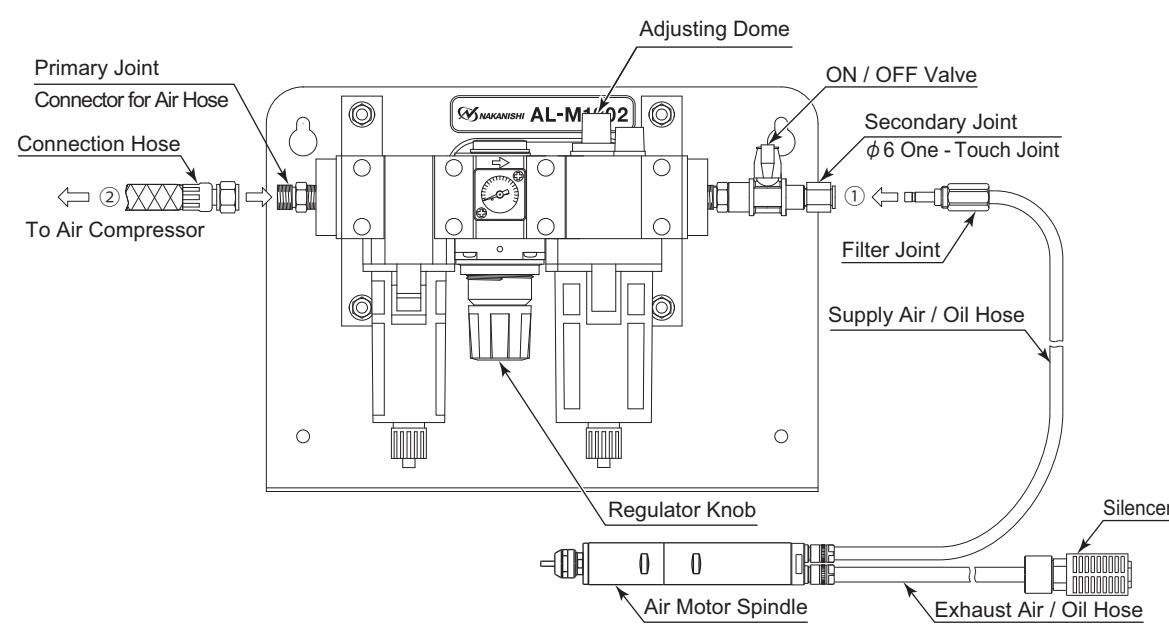


Fig. 20 Connection of Air Line Kit " AL - M1202 (Sold Separately) "

12. CAUTIONS WHEN USING GRINDSTONES AND TOOLS

CAUTION

- The maximum surface speed or rpm is always specified for a grindstone. Do not exceed the maximum speed with reference to the calculating chart below. Always follow the grindstone manufacturer's recommendations.

$$\text{Surface Speed (m / s)} = \frac{3.14 \times \text{Diameter (mm)} \times \text{Rotation Speed (min}^{-1}) \text{ (rpm)}}{1,000 \times 60}$$

- The proper surface speed for general grindstones is 10 - 30m / s.
- Do not exceed 13mm of overhang for mounted grindstones as shown in Fig. 21. If the overhang must exceed 13mm, reduce the motor speed in accordance with Table 5.
- Dress the grindstone prior to use.
- Do not use cutting tools with bent or broken shanks, cracks or excessive run-out.
- For grinding, the maximum depth of cut should not exceed 0.01mm radially or axially. Reciprocate the tool several times after each pass to eliminate tool pressure.
- Always operate cutting tools within the allowable recommended speed of the cutting tools. Use of a cutting tool outside of the allowable speed of the cutting tools could cause damage to the spindle and injury to the operator.
- Keep the cutting tool shank and collet clean. If contaminants are left in the collet or collet nut, excessive run-out will cause damage to the cutting tool and or spindle.
- Do not strike or disassemble the spindle.
- Please set the cutting tools to minimize the overhang amount. 13mm is the maximum amount of overhang to maintain high accuracy and safety.

Table 5 Overhang and Speed

Overhang (mm)	Max. Speed (min ⁻¹) (rpm)
20	N x 0.5
25	N x 0.3
50	N x 0.1

*N=Max. Operating Speed with 13mm overhang.

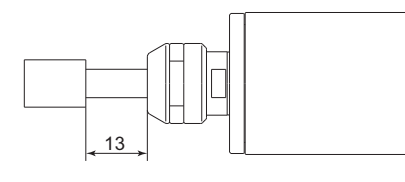


Fig. 21

13. TROUBLESHOOTING

If a problem or concern occur, please check the following items prior to consulting your dealer.

Trouble	Cause	inspection / Corrective Action
Air Motor Spindle does not rotate or rotate smoothly.	Air flow does not reach the Air Motor spindle.	Check if input supply connection hose or air / oil supply hose is broken, bent or disconnected. Check connection of the input supply connection and air / oil supply hoses. Check the compressor power supply and the air compressor output. Check the Regulator and set to the correct air pressure. Check all connections input supply and air / oil supply hose.
	The spindles ball bearings have been damaged.	Replace the ball bearings. (Return to NAKANISHI dealer service.)
	The motor has been damaged by for no Lubricating Oil.	Replace the motor. (Return to NAKANISHI dealer service.)
	Air Motor Spindle speed is too slow.	The connection hose or air / oil supply hose have been damaged. Replace the input supply and or air / oil supply hoses. Poor connection of input supply or air / oil supply hose. Check all threaded joints and re-tighten if necessary. Low air pressure. Check the Compressor, Air Circuit, and Regulator. Low Lubricating Oil. Check lubricator for proper lubricant level. Set the Oil Drip Rate from 1 to 3 drops /min. * If using the "AL - 0304 or K - 239 " Air Line Kit, adjust the proper Oil Drip Rate to 30 - 40 drops / min. No Lubricating Oil. Clean inside of the motor use the Lubricating Oil. Removing the Filter Joint from Air Line Kit, supply a small amount of Lubricating Oil directly into the Filter Joint. Afterwards, supply air pressure and rotate the Air Motor Spindle. Flush dirt in the motor and repeatedly do this work about three times. When the improvement is not seen, return to NAKANISHI dealer service. Water, dirt and debris are collected in the Air Filter. Drain water, dirt and debris from the Air Filter Bowl. Water in Lubricating Oil reservoir. Drain water from Lubricating Oil reservoir and replace with clean Lubricating Oil.
Unequal motor rotation.	Lubricator inclined or upside down. (Air Line Kit " AL - 0304 or K - 239 " only.)	Inclined or upside down lubricator will flood spindle with lubricating Oil.
	Excessive Oil Drip Rate flooding the bearings. Over filled lubricator. (Air Line Kit " AL - 0304 or K - 239 " only.)	Oil drip rate exceeds the recommended amount. Adjust for the proper Oil Drip Rate. Drain the Lubricating Oil from Reservoir to meet indicated levels. Excess lubricant will flood spindle.
Overheating during rotation.	Cutting debris has contaminated the ball bearings, and the ball bearings are damaged.	Replace the ball bearings. (Return to NAKANISHI dealer service.)
Abnormal vibration or noise during rotation.	The tool shank is bent.	Replace the tool.
	Cutting debris has contaminated the ball bearing. The spindles ball bearings have been damaged.	Replace the ball bearings. (Return to NAKANISHI dealer service.)
Tool slippage.	Collet or collet nut are not correctly installed.	Check and clean the collet and collet nut. Reinstall the collet and collet nut.
	The collet and the collet nut are worn.	Replace the collet and collet nut.
High run-out.	The tool is bent.	Change the tool.
	Collet nut is not correctly installed.	Secure the collet and the collet nut correctly.
	The collet and the collet nut are worn.	Replace the collet and the collet nut.
	Inside of the spindle is worn.	Replace the spindle shaft. (Return to NAKANISHI dealer service.)
	Contaminants inside the collet and the collet nut or the spindle. The spindle ball bearings has been damaged.	Clean the collet, collet nut and the inside of the taper and spindle. Replace the ball bearings. (Return to NAKANISHI dealer service.)

14. DISPOSAL OF THE AIR MOTOR SPINDLE

When disposal of an Air Motor Spindle is necessary, follow the instructions from your local government agency for proper disposal of industrial components.