

# RAX-271E • RAX-71E

## OPERATION MANUAL

Thank you for purchasing the 90° Angle Spindle " RAX - 271E • RAX - 71E ". This Spindle is designed for grinding, small diameter drilling and milling, etc. The E3000 CONTROLLER and Brushless Motor or Air Motor and Air Line Kit are required to drive this Spindle. Read this and all the associated component Operation Manuals carefully before use. Always keep this Operation Manual in a place where a user can referred to for reference at any time.

### 1. CAUTIONS FOR HANDLING AND OPERATION

- Read these warnings and cautions carefully and only use in the manner intended.
- These warnings and cautions are intended to avoid potential hazards that could result in personal injury to the operator or damage to the device. These are classified as follows in accordance with the seriousness of the risk.

Class	Degree of Risk
<b>WARNING</b>	<b>A safety hazard could result in bodily injury or damage to the device if the safety instructions are not properly followed.</b>
<b>CAUTION</b>	<b>A hazard that could result in light or moderate bodily injury or damage to the device if the safety instructions are not followed.</b>

#### WARNING

- This Spindle is not a hand tool. It is designed to be used on CNC machines or special purpose machines.
- Do not touch the cutting tool while it is running. It is very dangerous.
- Wear safety glasses, dust mask, and use a protective cover around the Spindle whenever the Spindle is rotating.
- Never connect, disconnect or touch the Power Cord Plug or Motor Cord Plug with wet hands. This may cause an electric shock.
- Never operate or handle the Spindle and brushless / air motor, until you have thoroughly read the Operation Manuals and safe operation has been confirmed.
  - To prevent injuries / damages, check the Spindle, brushless / air motor, and cutting tool for proper installation, before operating the Spindle and brushless / air motor.
  - Before disconnecting the Spindle and brushless / air motor, always turn the control power off and turn the compressed air supply to the CONTROLLER off. Then it is safe to remove the Spindle and brushless / air motor.
- When installing a Spindle to a fixed base, make sure the fixed base is grounded in order to avoid the risk of an electric shock.
- When installing a tool, tighten the collet correctly and check again the collet and collet nut before use. Do not over-tighten the collet. This may cause damage to the spindle.
- Do not use bent, broken, chipped, out of round or sub-standard tools, as this may cause them to shatter or explode. Tools with fractures or a bent shank will cause injury to the operator. When using a new tool, rotate it in a low speed and increase speed gradually for safety.
- Do not exceed the maximum recommended allowable tool speed. For your safety, use speeds below the maximum allowable speed.
- Do not apply excessive force. This may cause tool slippage, tool damage, injury to the operator or loss of concentricity and precision.

#### CAUTION

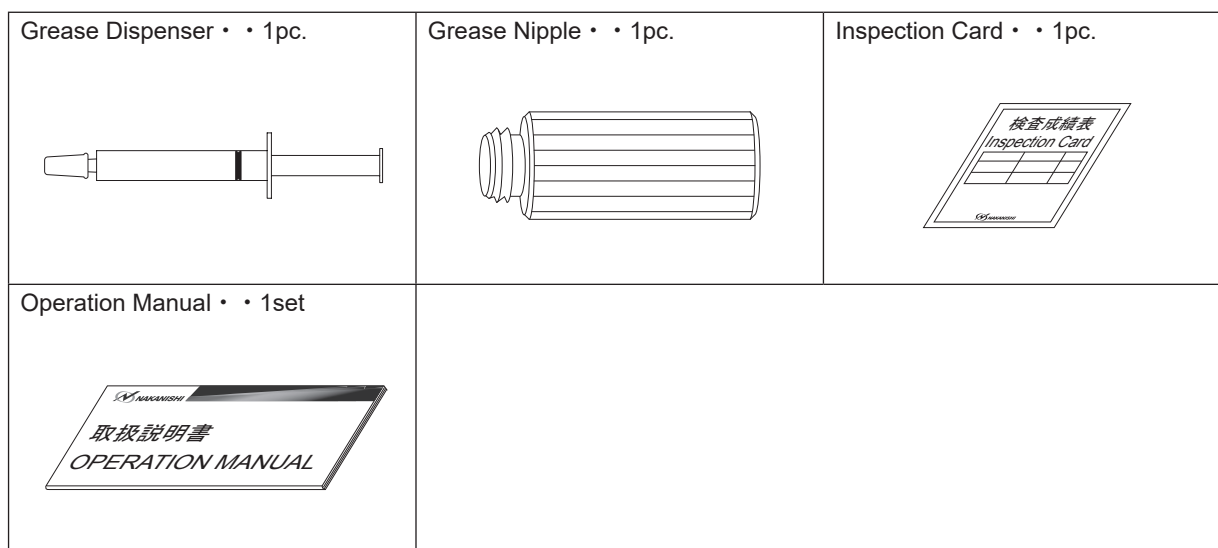
- Do not exceed the Maximum Allowable Motor Rotation Speed of 30,000min<sup>-1</sup> (rpm).
- Do not drop or hit this Spindle, as shock can damage to the internal components.
- Be sure to clean the collet and collet nut, the inside of the spindle before replacing the tool. If ground particles or metal chips stick to the inside of spindle or the collet, damage to the collet or spindle can occur due to the loss of precision.
- When cleaning a Spindle, stop the brushless / air motor, and remove debris with a soft brush or a cloth. Do not blow air into the dust proof cover area (refer to section " 6 - 2 Outside View ") with compressed air as foreign particles or cutting debris may get into the ball bearing.
- Always clean the tool shank before installing the tool in the spindle.
- When sizing the correct collet size to the tool shank diameter, a tolerance of +0 ~ - 0.01mm is strongly recommended. A tool shank within the +0 ~ - 0.1mm range is mountable, however, this may cause poor concentricity and or insufficient tool shank gripping force.
- Select suitable products or tools for all applications. Do not exceed the capabilities of the Spindle or tools.
- Do not stop the supply cooling air for motor during operation of the machine. Removing the air pressure from the Spindle causes a loss of purging, allowing the Spindle to ingest coolant. This will cause damage to the Spindle.
- Carefully direct coolant spray to the tool. Do not spray directly on the Spindle body. If large amount spray directly on the Spindle, it may cause excess load of the brushless / air motor, rotation with loss of durability to the Spindle.
- Stop working immediately when abnormal rotation or unusual vibration are observed. Immediately, please check the content of section " 14. TROUBLESHOOTING ".
- Always check if the tool, collet or collet nut are damaged before and after operating.
- If the collet or collet nut show signs of wear or damage, replace them before a malfunction or additional damage occurs.
- After installation, repair, initial operation, or long periods of non operation, please refer to section " 12. BREAK-IN PROCEDURE " detailed in Table. 3. When checking the Spindle, no vibration or unusual sound should be observed during rotation.
- Do not disassemble, modify or attempt to repair this Spindle. Additional damage will occur to the internal components. Service must be performed by NSK NAKANISHI or an authorized service center.
- When using this Spindle for mass production, please consider the purchase of an additional Spindle to be used as a back-up in case of emergency.

### 2. BASIC PACKAGE

When opening the package, check if it includes all items listed in " Table. 1 Packing List Contents ". In the event of any shortage, please contact either NAKANISHI (see the " 4. CONTACT US " section) or your local dealer.

Table. 1 Packing List Contents

Spindle • • 1pc.	Collet Nut (K - 265) • • 1pc.*	Wrench (12 x 14) • • 2pcs. (22 x 27) • • 1pc.
------------------	--------------------------------	--



\*The collet nut is attached to the spindle.

### 3. WARRANTY

We provide a limited warranty for our products. We will repair or replace the products if the cause of failure is due to the following manufactures defects. Please contact us or your local distributor for details.

- Defect in manufacturing.
- Any shortage of components in the package.
- Where damaged components are found when initially opening the package. (This shall not apply if the damage was caused by the negligence of a customer.)

### 4. CONTACT US

For your safety and convenience when purchasing our products, we welcome your questions. If you have any questions about operation, maintenance and repair of the product, please contact us.

#### Contact Us

● For U.S. Market  
 Company Name : **NSK America Corp.**  
 Industrial Div.  
 Business Hours : 8:00 to 17:00 (CST)  
 (closed Saturday, Sunday and Public Holidays)  
 U.S. Toll Free No. : +1 800 585 4675  
 Telephone No. : +1 847 843 7664  
 Fax No. : +1 847 843 7622  
 Website : www.nskamericacorp.com

● For Other Markets  
 Company Name : **NAKANISHI INC.**  
 Business Hours : 8:00 to 17:00 (JST)  
 (closed Saturday, Sunday and Public Holidays)  
 Telephone No. : +81 289 64 3520  
 e-mail : webmaster-ie@nsk-nakanishi.co.jp

### 5. FEATURES

- This Spindle is capable of working on corners difficult to work or unfit for working with straight type spindles.
- The Spindle housing is made from precision ground, hardened, stainless steel (SUS) with an outside diameter of  $\phi 30$ mm.
- Various sizes of collets are available CHK 0.5mm - 6.35mm. Standard collet is CHK 3.0mm or CHK 3.175mm (For U.S. market CHK 3.175mm).

### 6. SPECIFICATIONS AND DIMENSIONS

#### 6 - 1 Specifications

Model	RAX - 271E	RAX - 71E
Maximum Allowable Motor Rotation Speed	For Air Motor	19,000min <sup>-1</sup> (rpm) In case of using the AM - 3020R / L
	For Brushless Motor	18,000min <sup>-1</sup> (rpm) In case of using the AM - 3020RA / LA
Maximum Rotation Speed at the Tool	For Air Motor	12,700min <sup>-1</sup> (rpm) In case of using the AM - 3020R / L
	For Brushless Motor	12,000min <sup>-1</sup> (rpm) In case of using the AM - 3020RA / LA
Spindle Accuracy	For Air Motor	3,200min <sup>-1</sup> (rpm) In case of using the AM - 3020R / L
	For Brushless Motor	3,000min <sup>-1</sup> (rpm) In case of using the AM - 3020RA / LA
Reduction ratio	1 / 1.5	1 / 6
Applicable Motor	AM - 3020R / L, AM - 3020RA / LA	
*This spindle can not use the reduction gear.	EM - 3060J, EM - 3060J - 2M, EM - 3030J, EM - 3030J - 2M, EM - 3060	
Weight	580g	
Noise Level at 1m distance	Less than 70dB (A)	

	Temperature	Humidity	Atmospheric Pressure
Operation Environment	0 - 40° C	MAX.75% (No condensation)	700 - 1,060hPa
Transportation and Storage Environment	-10 - + 50° C	10 - 85%	500 - 1,060hPa

#### CAUTION

Use NOT than the Maximum Allowable Motor Rotation Speed 30,000min<sup>-1</sup> (rpm).  
 DO NOT exceed the Maximum Allowable Motor Rotation Speed 30,000min<sup>-1</sup> (rpm) for the spindle.

<Option>

Collet (CHK - □ □ )	$\phi 0.5 - \phi 6.0$ mm in 0.1mm increments and $\phi 2.35$ mm, $\phi 3.175$ mm, $\phi 4.76$ mm, $\phi 6.35$ mm
*Note1	
Special arbor for metal saw (KCH - 03)	For O.D. $\phi 30$ mm or less
Grinding arbor (AGM - 03)	For grindstone I.D. $\phi 5.0$ mm

\*Note 1 : Collet is sold separately. Please select the suitable collet size for your application.

#### 6 - 2 Outside View

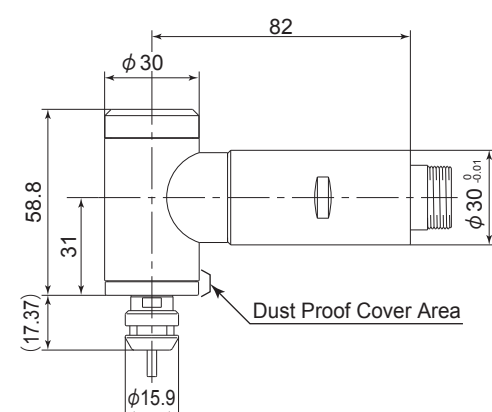


Fig. 1

### 7. CONNECTION OF THE SPINDLE TO THE MOTOR

#### CAUTION

Make sure your hands and all interlocking parts of the brushless / air motor, and Spindle are clean before connecting the Spindle to the brushless / air motor. This is critical in preventing contaminants from entering the Spindle or brushless / air motor.

Align the thread on the front end of the brushless / air motor, and the rear of the Spindle, and turn the Spindle clockwise. If the drive shaft of the brushless / air motor, does not engage properly to the drive dog on the Spindle, it may only turn approximately two threads before stopping. DO NOT FORCE THEM TOGETHER. Loosen the Spindle from the brushless / air motor, rotate the spindle shaft by hand then re-try. The drive shaft and the drive dog must be fully engaged. When fully engaged, secure the brushless / air motor, and Spindle using the provided 27mm wrench (Fig. 2).

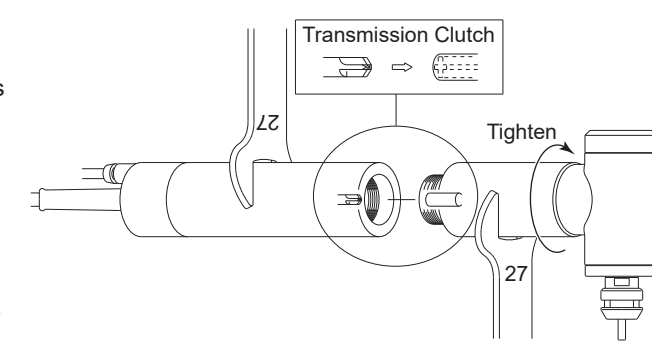


Fig. 2

### 8. CHANGING THE TOOL

#### CAUTION

Do not tighten the collet without inserting a tool or dummy bur, as this will damage the collet, spindle or collet nut, causing difficulty removing the collet.

#### RECOMMENDATION

Please set the cutting tools to minimize the overhang amount. 13mm is the maximum amount of overhang to maintain high accuracy and safety.

- Set the provided 12mm wrench on the spindle shaft.
- Place the provided 14mm wrench on the collet nut and turn it counterclockwise to loosen the collet and remove the tool (The first turn will loosen the collet nut, but the tool will not release and turning will become stiff. Keep turning through the stiffness and the collet will open).
- Clean the collet and collet nut, then insert the new tool and tighten the collet by turning clockwise. Do not over-tighten.

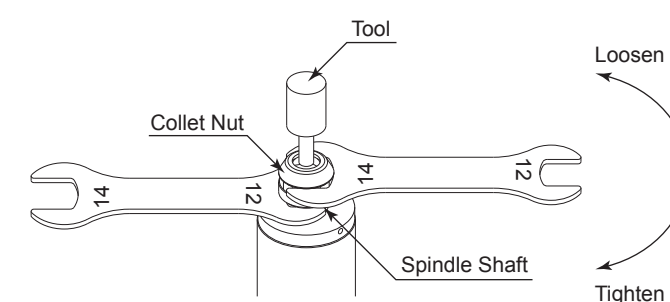


Fig. 3

### 9. REPLACING THE COLLET

#### CAUTION

When installing the collet into the collet nut, be sure to fully engage the latch inside the collet nut to the groove on the collets outer diameter area. In addition, remember that if the collet is attached without being engaged with the latch of the collet nut, the collet cannot be removed and this may cause damage to the collet or the spindle.

- Remove the tool according to the section " 8. CHANGING THE TOOL " procedure above and remove collet nut assembly (Fig. 4).
- The collet and collet nut are secured by a groove in the collet and a flange in the collet nut. To remove the collet hold the collet nut in one hand and push diagonally down on the collet. The collet should be released (Fig. 5).
- To install the collet, hold the collet at a slight angle, and insert it into the collet nut (Fig. 6). Press the collet in the collet nut by positioning the collet in the collet nut and pressing down on flat surface (Fig. 5). Be sure to fully engage the latch inside the collet nut into the groove on the collet's outer circumference area (Fig. 7).

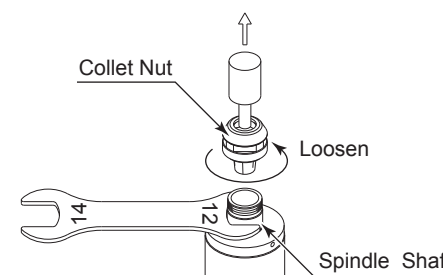


Fig. 4

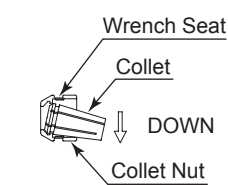


Fig. 5

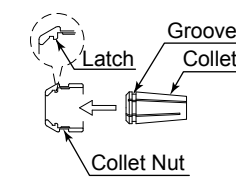


Fig. 6

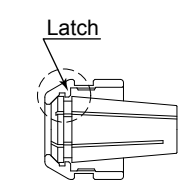


Fig. 7

### 10. INSTALLATION OF THE SPINDLE

#### WARNING

When installing a Spindle to a fixed base, make sure the fixed base is grounded in order to avoid the risk of an electric shock.

#### CAUTION

- When installing a Spindle, do not hit, drop or cause shock to the Spindle. This may cause damage to internal components and result in malfunctions.
- When mounting the Spindle, be sure to secure within Clamping Area etched on the Spindle O.D. If the Spindle is installed incorrectly, damage to the internal components is possible.
- Cautions when tightening the securing bolts on to a Split Type Holder Do not over-tighten the bolt. This will cause damage to Spindle's precision. Tighten the bolt until the Spindle body can not be rotated by hand within the fixture. Extreme tightening is not necessary or recommended. Apply working force and check that the Spindle is tight before using.

① When mounting a Spindle, refer to the Clamping Area etched on the Spindle (Fig. 8).

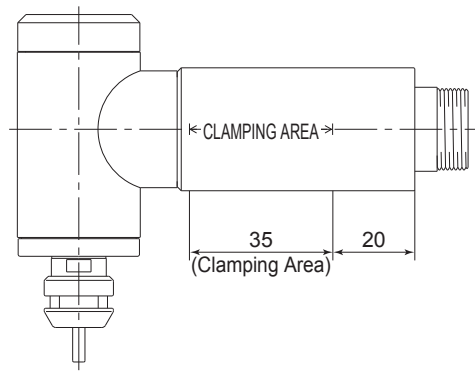


Fig. 8

\* When installing the Spindle, it is recommended to use a "GR - 30 Grip Ring (sold separately (Fig. 9))". If the GR - 30 Grip Ring cannot be used due to the restriction of dimension and space, install as shown in ② below.

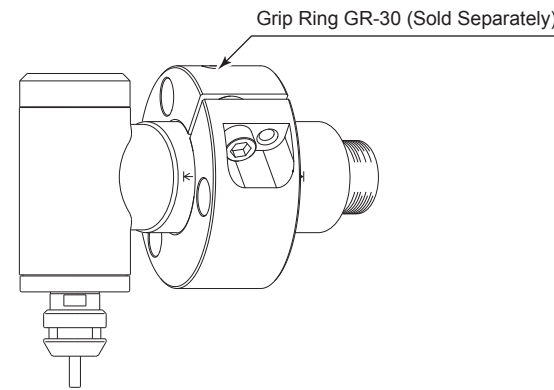


Fig. 9

② When installing a Spindle to the holder, recommended installation method is shown Fig. 10. Refer to "③ How to fabricate the Split Type Holder". If this is not possible, install as shown in Fig. 11.

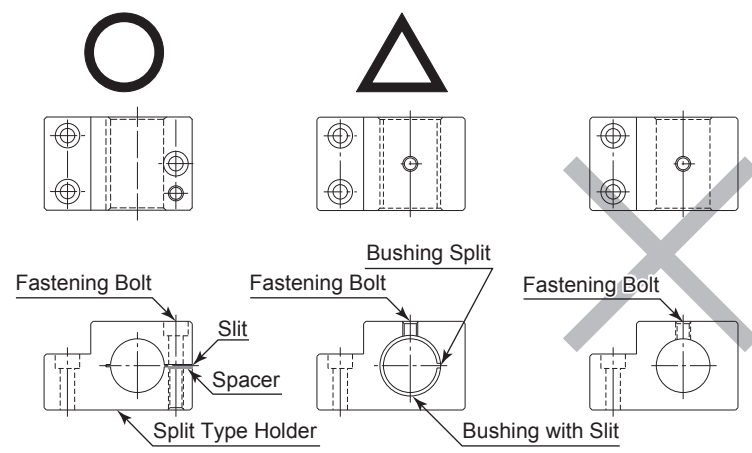


Fig. 10

Fig. 11

Fig. 12

**CAUTION**  
Do not allow set screws to come directly in contact with the Spindle body as shown in Fig. 12, as this will result in damage to the Spindle housing and internal components.  
When installing, never clamp directly over the bearings, as this will result in bearing damage (Refer to Fig. 13).

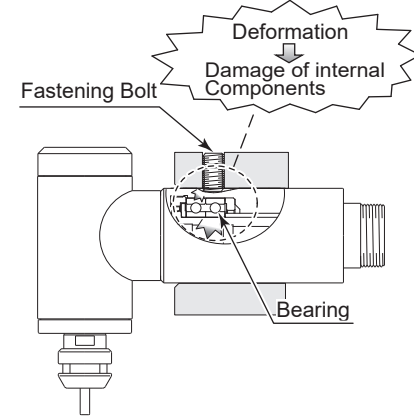


Fig. 13

③ How to fabricate the Split Type Holder  
(1) Rough bore the inside diameter of the Split Type Holder.  
(2) Cut a slit. (Ex. Slit 2mm) wide.  
(3) Tighten the Screw for Removal and Force Open the Slit Area.  
(4) Insert a spacer (Ex. thickness = 2mm) into the Slit Area.  
(5) Loosen the Screw for Removal, and tighten the fastening bolt with its specified torque.  
(6) Finish the Split Type Holder so that the inside diameter of the Split Type Holder is φ30 with its tolerance range from - 0.01mm to - 0.015mm, and its roundness and cylindricity of less than 5μm.  
(7) When inserting the Spindle loosen the Fastening Bolt, and tighten the Screw for Removal, widening the Slit Area.

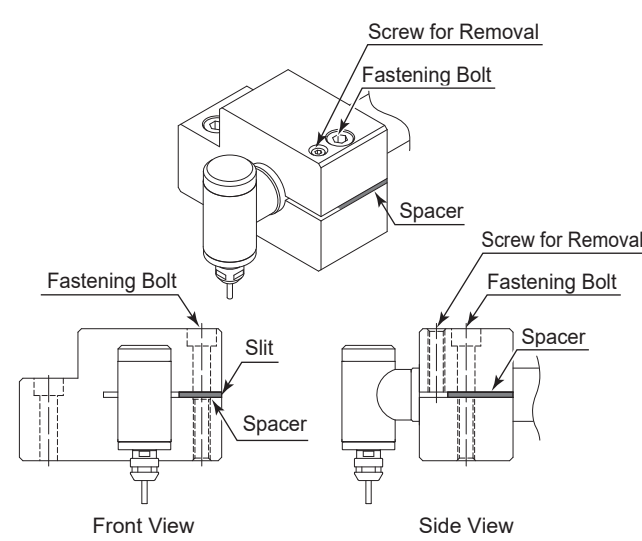


Fig. 14

**CAUTION**  
• How to confirm the correct tightening or clamping of the Spindle's in the holder : In case of use a brushless motor  
Measure the current value of the CONTROLLER's power cord by the clamp meter.  
Fasten the holder so that the increase in the no-load current value (during rotation at the maximum rotation speed) with the Spindle fastened is 20mA (for type 120V) / 10mA (for type 200V / 230V) or less, compared to the no-load current value (during rotation at the maximum rotation speed) without fastening the Spindle. Do not over-tighten the Fastening Bolt. It may damage Spindle's precision and shorten the life of the bearings.  
• The final responsibility for ensuring holder's safety for use in a given application is left to the designer of the equipment in which NAKANISHI's Spindle is installed.  
NAKANISHI offers Spindle with a wide variety of capabilities and specifications.  
Please carefully check the Spindle's specifications against the requirements of your equipment and verify suitability and safety of the Holder prior to initial use.

## 11. GREASE INJECTION

### CAUTION

- Be sure to use our specified grease. The other type grease may cause damage to the Spindle.
- When the thread on the side of the Spindle is removed, need to stop the air supply.  
Failure to stop the air flow will cause grease to spray out of the grease inlet.

To extend the durability of the reduction gear, inject grease at every 70 - 100 hours in the manner described below. Grease injection prevents the friction of the parts assembled inside as well as heat generation. It also prevents the degradation of grease inside.  
Periodic grease injection is an important part of routine maintenance.

### 11 - 1 Grease Injection

- ① Turn OFF the power switch of the CONTROLLER and stop the air supply. If air motor is used, stop the air supply to the Air Line Kit.
- ② Remove the Grease Inlet Screw on the Spindle with a screw driver (Fig. 15).

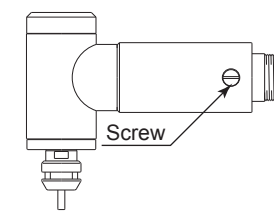


Fig. 15

- ③ Mount the Grease Nipple on the top of the provided Grease Dispenser. And attach the Grease Nipple on the topped hole removed the thread in the step.

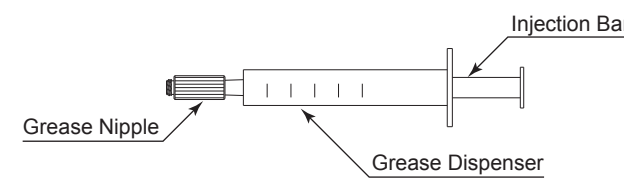


Fig. 16

- ④ Holding the Grease Dispenser, turn ON the power switch of the CONTROLLER and start the air supply. Set the motor rotation speed "0" at the CONTROLLER to avoid the motor rotation ( If the air motor is used, hold the Grease Dispenser and supply the air to the air motor).
- ⑤ Inject grease about 0.5mℓ.

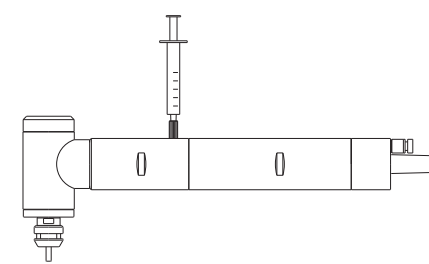


Fig. 17

### CAUTION

Too much grease generates high heat, make sure to only supply the volume of grease as specified.

- ⑥ Turn OFF the power switch of the CONTROLLER and remove the Grease Nipple.  
Finally tighten the screw. ( If the air motor is used, remove the Grease Nipple after the air supply is stopped).




### 11 - 2 After Grease Injection

#### CAUTION

After grease injection, please carry out break-in as follow. Start rotating slowly and over a short period of time, increase speed gradually until allowable maximum speed (refer to section " 12. BREAK-IN PROCEDURE ").

- ① When air supply starts again, excess grease may come out at the Spindle end side. Clean off the grease completely.
- \* Can purchase our specified grease as standard accessories. Please purchase and use the Grease Dispenser inject with our specified grease (Table. 2).

Table. 2

Product Name	Product Name and Description	Code No.
	(2.5mℓ)	1547
	(10mℓ)	1550
	(100mℓ)	1549

## 12. BREAK-IN PROCEDURE

During transportation, storage or installation, the grease inside the bearings will settle. If the Spindle is suddenly run at high-speed, the grease will be ejected from the bearings, causing excessive heat that will cause bearing damage.

After installation, repair, initial operation, or long periods of non operation, please follow the break-in procedure detailed in Table. 3.

Table. 3

< In case of connecting the brushless motor >

Steps	1	2	3	4
Rotation Speed (min <sup>-1</sup> ) (rpm)	5,000	10,000	20,000	30,000
Rotation Time (min)	15	10	10	15
Items to Check	No Abnormal Noises	The Spindle housing temperature during the break-in process should not exceed 20 degrees C (36 degrees F) above ambient temperature. Should the Spindle exceed this limit, rest the Spindle for at least 20 minutes and re-start the break in procedure from the beginning. If the housing temperature rises again and exceeds 20 degrees C (36 degrees F) above ambient temperature, check the Spindle and brushless motor for proper installation.	The Spindle housing temperature during the break-in process should not exceed 20 degrees C (36 degrees F) above ambient temperature.	

< In case of connecting the air motor >

Steps	1	2	3	4	5
Air Pressure	0.1 MPa 14.5 psi	0.2	0.3	0.4	0.5
Rotation Time (min)	15	10	10	10	15
Items to Check	No Abnormal Noises	The Spindle housing temperature during the break-in process should not exceed 20 degrees C (36 degrees F) above ambient temperature. Should the Spindle exceed this limit, rest the Spindle for at least 20 minutes and re-start the break in procedure from the beginning. If the housing temperature rises again and exceeds 20 degrees C (36 degrees F) above ambient temperature, check the Spindle and air motor for proper installation.			The Spindle housing temperature during the break-in process should not exceed 20 degrees C (36 degrees F) above ambient temperature.

## 13. CAUTIONS WHEN USING GRINDSTONES AND TOOLS

### CAUTION

The maximum surface speed or rpm is always specified for a grindstone. Do not exceed the maximum speed with reference to the calculating chart below. Always follow the grindstone manufacturer's recommendations.

$$\text{Surface Speed (m / s)} = \frac{3.14 \times \text{Diameter (mm)} \times \text{Rotation Speed (min}^{-1}\text{) (rpm)}{1,000 \times 60}$$

- ① The proper surface speed for general grindstones is 10 - 30m / s.
- ② Do not exceed 13mm of overhang for mounted grindstones as shown in Fig. 18. If the overhang must exceed 13mm, reduce the brushless / air motor, speed in accordance with Table. 4.
- ③ Dress the grindstone prior to use.
- ④ Do not use cutting tools with bent or broken shanks, cracks or excessive run-out.
- ⑤ For grinding, the maximum depth of cut should not exceed 0.01mm radially or axially. Reciprocate the tool several times after each pass to eliminate tool pressure.
- ⑥ Always operate cutting tools within the allowable recommended speed of the cutting tools. Use of a cutting tool outside of the allowable speed of the cutting tools could cause damage to the spindle and injury to the operator.
- ⑦ Keep the cutting tool shank and collet clean. If contaminants are left in the collet or collet nut, excessive run-out will cause damage to the cutting tool and or spindle.
- ⑧ Do not strike or disassemble the Spindle.
- ⑨ Please set the cutting tools to minimize the overhang amount. 13mm is the maximum amount of overhang to maintain high accuracy and safety.

Table. 4 Overhang and Speed

Overhang (mm)	Max. Speed (min <sup>-1</sup> ) (rpm)
20	N x 0.5
25	N x 0.3
50	N x 0.1

\* N = Max. Operating Speed with 13mm overhang.

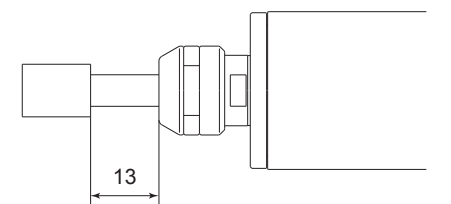


Fig. 18

## 14. TROUBLESHOOTING

If a problem or concern occur, please check the following items prior to consulting your dealer.

Trouble	Cause	Inspection / Corrective Action
Spindle does not rotate or rotate smoothly.	The spindle ball bearings have been damaged. The motor has been damaged.	Replace the ball bearings. (Return to NAKANISHI dealer service.) Replace the motor. (Return to NAKANISHI dealer service.)
Overheating during rotation.	Cutting debris has contaminated the ball bearings, and the ball bearings are damaged.	Replace the ball bearings. (Return to NAKANISHI dealer service.)
Abnormal vibration or noise during rotation.	The tool shank is bent. Cutting debris has contaminated the ball bearing. The spindle ball bearings have been damaged.	Replace the tool. Replace the ball bearings. (Return to NAKANISHI dealer service.)
Tool slippage.	Collet or collet nut are not correctly installed. The collet and the collet nut are worn.	Check and clean the collet and collet nut. Reinstall the collet and collet nut. Replace the collet and collet nut.
High run-out.	The tool is bent. Collet nut is not correctly installed. The collet and the collet nut are worn. Inside of the spindle is worn. Contaminants inside the collet and the collet nut or the spindle. The spindle ball bearings have been damaged.	Change the tool. Secure the collet and the collet nut correctly. Replace the collet and the collet nut. Replace the spindle shaft. (Return to NAKANISHI dealer service.) Clean the collet, collet nut and the inside of the taper and spindle. Replace the ball bearings. (Return to NAKANISHI dealer service.)

In case of using a brushless motor, refer to the brushless motor and E3000 CONTROLLER Operation Manuals.  
In case of using an air motor, refer to the air motor Operation Manual.

## 15. DISPOSAL OF THE SPINDLE

When disposal of a Spindle is necessary, follow the instructions from your local government agency for proper disposal of industrial components.