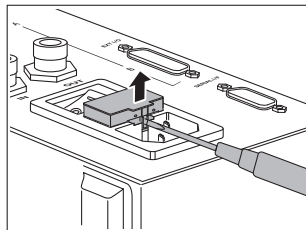


NOTICE

The shape of the fuse holder in the Main Power Inlet with Power Supply Fuses may differ from the description in the operation manual. Follow the instructions below to remove the fuse holder and replace the fuse.

REPLACING FUSES

- 1** Remove the fuse holder in the Main Power Inlet with Power Supply Fuses using a flat-blade screwdriver or similar tool.
- 2** Remove the bad fuse or fuses and replace with the proper type and rating of fuse by the input voltage being used.
- 3** Push the fuse holder firmly into the Main Power Inlet with Power Supply Fuses.



E3000 SELECTOR

取扱説明書 / OPERATON MANUAL

日本語 : P1 - P26 / English : P29 - P58



Thank you for purchasing the E3000 Ultra-Precision, High-Speed spindle system. The E3000 SELECTOR was designed for controlling multiple sequentially controlled spindles on CNC lathes, robots, NC lathes and special purpose machines. The motor, spindle and E3000 CONTROLLER are designed to work as an integrated system capable of 80,000 min⁻¹ (rpm). This system utilizes air to cool the motor and protect the spindle. Always use an NAKANISHI Air Line Kit to ensure clean, dry, properly regulated air is supplied to the motor and spindle. The E3000 system is capable of being used with coolants and cutting lubricants. Read this and all the associated component Operation Manuals carefully before use. Always keep this Operation Manual in a place where a user can referred to for reference at any time.

CONTENTS

IMPORTANT INSTRUCTIONS AND WARNING - Electric Devices	P30
1. CAUTIONS FOR HANDLING AND OPERATION	P32
2. BASIC PACKAGE	P34
3. WARRANTY	P35
4. CONTACT US	P35
5. FEATURES	P35
6. SPECIFICATIONS AND DIMENSIONS	P36
7. CONTROL PANEL FEATURES	P38
8. REPLACING THE FUSES	P40
9. BRACKET AND RUBBER PAD INSTALLATION	P40
10. POWER CORD CONNECTION	P42
11. MOTOR CORD CONNECTION	P42
12. CONNECTION OF THE E3000 CONTROLLER TO THE SELECTOR	P43
13. OPERATION PROCEDURES	P46
14. EXTERNAL INPUT / OUTPUT CONNECTOR OF THE CONTROLLER	P50
15. TROUBLESHOOTING	P57
16. DISPOSAL OF THE SELECTOR	P58

⚠ IMPORTANT INSTRUCTIONS AND WARNING - Electric Devices

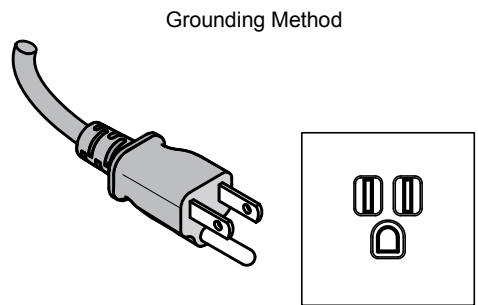
⚠ WARNING

When using electric tools, basic safety precautions should always be followed to reduce the risk of fire, electrical shock and personal injury.

Read all these instructions before operating this product and save these instructions.

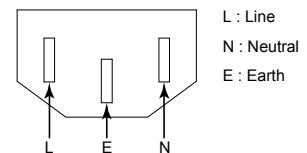
A. GROUNDING INSTRUCTIONS

- 1. In the event of a malfunction or breakdown, grounding provides a path of least resistance for electric current to reduce the risk of electric shock. This tool is equipped with an electric cord with a grounding conductor and a grounding plug. The plug must be plugged into a matching outlet that is properly installed and grounded in accordance with all local codes and ordinances.**
- 2. Do not modify the plug provided if it does not fit the outlet, A qualified electrician must install the proper outlet.**
- 3. Improper connection of the grounding conductor can result in electric shock. The conductor with insulation having an outer surface that is green with or without yellow stripes is the grounding conductor. If repair or replacement of the electric cord or plug is necessary, do not connect the grounding conductor to a live terminal.**
- 4. Check with a qualified electrician or service person if the grounding instructions are not completely understood, or if in doubt as to whether the tool is properly grounded.**
- 5. Use only 3-wire extension cords that have 3-prong grounding plugs and 3-pole receptacles that accept the power cords plug.**
- 6. Repair or replace damaged or worn cord immediately.**
- 7. This tool must be used on a circuit that has an outlet that looks like the one illustrated in Sketch A in figure (See below) (115V). The tool has a grounding plug that looks like the plug illustrated in Sketch A in Figure (below).**
- 8. FOR Installation in Machine Electrical Cabinet or when wiring directly to machine internal power terminal strip:**
 - 1) Please refer to the pin diagram below for the proper wiring configuration. The plug shown is the female plug that attaches to the E3000 SELECTOR main power inlet.**
 - 2) Make sure you test each individual wire to verify proper circuit prior to attaching any wire to the terminal block. Do not assume wire colors are the same for all power cords.**
- 9. Install an over current protective device of maximum 10 Amps on the E3000 SELECTOR main power circuit.**
- 10. USE PROPER EXTENSION CORD. Make sure your extension cord is in good condition. When using an extension cord, be sure to use one heavy enough to carry the current your product will draw. An undersized cord will cause a drop the line voltage resulting in loss of power and overheating. Table (below) shows the correct size to use depending on cord length and nameplate ampere rating. If in doubt, use the next heavier gage. The smaller the gage number, the heavier the cord.**



A

Power cord connector



Minimum gage for cord

Ampere Rating		Volts	Total length of cord			
		120V 240V	7.5m (25ft.) 15m (50ft.)	15m (50ft.) 30m (100ft.)	30m (100ft.) 60m (200ft.)	45m (150ft.) 90m (300ft.)
More Than	Not More Than					
0	6	18	16	16	14	
6	10	18	16	14	12	
10	12	16	16	14	12	
12	16	14	12	Not Recommended		



Only the applicable parts of the Table need to be included. For instance, a 120-volt product need include the 240-volt heading.

B. OTHER WARNING INSTRUCTIONS

1. For your own safety read instruction manual before operating this tool.
2. Replace cracked collet or collet nut immediately.
3. Do not over tighten the collet nut.
4. Use only NAKANISHI manufactured collets and arbors for grinding and sawing applications.
5. REMOVE ADJUSTING KEYS AND WRENCHES. Always check to see that keys and adjusting wrenches are removed from tool before turning the units main power switch on.
6. KEEP WORK AREA CLEAN. Cluttered areas and benches invite accidents.
7. DO NOT USE IN DANGEROUS ENVIRONMENTS. Don't use power tools in damp or wet locations, or expose them to rain.
8. Keep work area well illuminated.
9. There is a risk of injury due to accidental starting. Do not use in an area where children may be present.
10. DO NOT FORCE THE TOOL. Never use a tool for an application it was not designed for.
11. USE THE CORRECT TOOL. Do not force tools or attachments to do a job for which it was not designed.
12. WEAR PROPER APPAREL. Do not wear loose clothing, gloves, neck ties, rings, bracelets, or other jewelry that might get caught in moving parts. Nonslip footwear is recommended. Wear protective hair covering to contain long hair.
13. ALWAYS USE SAFETY GLASSES. Everyday eyeglasses only have impact resistant lenses, they are NOT safety glasses. Also use face or dust mask if cutting operation is dusty.
14. SECURE YOUR WORK. Use clamps or a vise to hold work at all times.
15. MAINTAIN TOOLS WITH CARE. Keep tools sharp and clean for best performance and to reduce the risk of injury. Follow instructions for changing accessories.
16. DISCONNECT TOOLS before servicing or when changing accessories, such as blades, cutters etc.
17. REDUCE THE RISK OR UNINTENTIONAL STARTING. Make sure Main Power Switch is in off position before plugging in.
18. NEVER LEAVE TOOL RUNNING UNATTENDED. TURN POWER OFF. Don't leave tool until it comes to a complete stop.
19. For recommended operating speed for various applications, please follow recommendations of the cutting tool manufacturer.

1. CAUTIONS FOR HANDLING AND OPERATION

- Read these warnings and cautions carefully and only use in the manner intended.
- These warnings and cautions are intended to avoid potential hazards that could result in personal injury to the operator or damage to the device. These are classified as follows in accordance with the seriousness of the risk.

Class	Degree of Risk
 WARNING	A safety hazard could result in bodily injury or damage to the device if the safety instructions are not properly followed.
 CAUTION	A hazard that could result in light or moderate bodily injury or damage to the device if the safety instructions are not followed.

WARNING

- ① The SELECTOR is not a hand tool. It is designed to be used on CNC lathe or special purpose machines.
- ② Do not touch the cutting tool while the spindle and tool are rotating. It is very dangerous.
- ③ Wear safety glasses, dust mask, and use a protective cover around the motor spindle whenever the motor spindle is rotating.
- ④ Never connect, disconnect or touch the Power Cord Plug and Motor Cord Plug with wet hands. This may cause an electric shock.
- ⑤ Never operate or handle the SELECTOR, CONTROLLER, and motor or spindle until you have thoroughly read the owner's manual for each component, and safe operation has been confirmed.
 - 1) To prevent injuries / damages, check the SELECTOR, CONTROLLER, motor spindle and cutting tool for proper installation, then operate the motor spindle.
 - 2) Before disconnecting the SELECTOR, CONTROLLER or motor spindle, always turn the control power OFF and turn the compressed air supply to the CONTROLLER OFF. Then it is safe to remove the SELECTOR, CONTROLLER, and motor spindle.
- ⑥ Do not use in dangerous environments. Protect the SELECTOR from moisture and other contaminants. Failure to protect SELECTOR can result in damage to internal components and injury to the operator.
- ⑦ Reduce the risk of unintentional starting. Make sure the Main Power Switch is in the OFF position before connecting the SELECTOR or plugging the system in.
- ⑧ In the event of a malfunction or breakdown, grounding provides a path of least resistance for electric current, reducing the risk of electric shock. This system is equipped with an electric cord with a grounding conductor and grounding plug.
The plug must be plugged into a matching outlet that is properly installed and grounded in accordance with all local codes and ordinances.
- ⑨ Check to ensure that the supply voltage is the same as the SELECTOR rated voltage.

CAUTION

- ① A motor cooling and spindle purge air is required to operate the system correctly. The input air line must be connected to the air inlet joint on the front of the SELECTOR. 0.35MPa (50.8psi) air must be supplied.
- ② The electric motor spindle requires air for cooling and purging. Ensure that this air supply is clean and dry. Introduction of dust, moisture and other contaminants into the SELECTOR and motor spindle will cause damage to the internal components.
- ③ Do not hit, drop or subject the motor spindle or SELECTOR to any type of shock. This will cause damage to internal components and result in a malfunction.
- ④ Do not disassemble, modify or attempt to repair the SELECTOR or motor spindle as it will damage internal components. There are no user serviceable parts available.



CAUTION


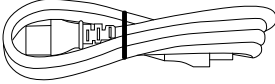
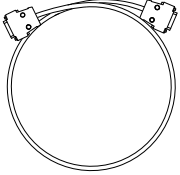
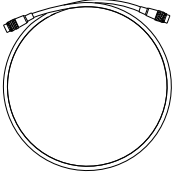

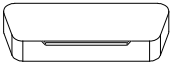
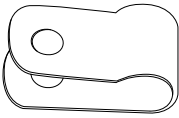
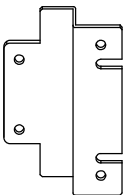
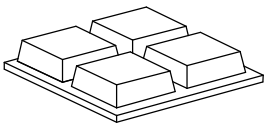
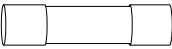
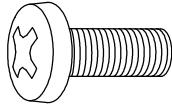
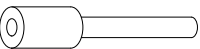

- ⑤ When an error occurs, and Error LED will illuminate on the SELECTOR, an Error Code will be displayed on the CONTROLLER and cause an Error Code output to be sent, stopping the Motor. Check and correct the cause of the malfunction before continuing use. Failure to correct the problem will result in damage to the CONTROLLER and motor spindle.
- ⑥ When the warning LED on the SELECTOR blinks, conditions exist that could result in dangerous operation. Check operating conditions and continue to use only after correcting the problem.
- ⑦ When using CONTROLLER continuously, refer to continuous area on torque Characteristics Graph and check LOAD Monitor LED of the CONTROLLER for a maximum output of (3 Green LED's).
- ⑧ Do not install the system next to RF noise sources, as malfunctions can occur.
- ⑨ If smoke, noise or strange odors emanate from the SELECTOR, CONTROLLER or motor, immediately turn OFF the Main Power Switch.
- ⑩ Do not place anything on top of the SELECTOR.
- ⑪ Attach the provided connector cap (for motor output) and air plug (for air stoppage) for safety and dust proofing when not using SELECTOR.
- ⑫ Connect to the E3000 CONTROLLER when using E3000 SELECTOR.
- ⑬ When disposal of CONTROLLER or SELECTOR is necessary, follow the instructions from each local government and dispose as an industrial waste.
- ⑭ Stop working immediately when abnormal rotation or unusual vibration are observed. Please check the content of " 15. TROUBLESHOOTING " section.
- ⑮ If the power cord is damaged, replace it with a certified power cord with grounding of sufficient voltage and current rating.

2. BASIC PACKAGE

When opening the package, check if it includes all items listed in " Table.1 Packing List Contents ".

In the event of any shortage, please contact either NAKANISHI (see the " 4. CONTACT US " section) or your local dealer.

Table. 1 Packing List Contents

<p>E3000 SELECTOR Main Body • • 1pc.</p> 	<p>Power Cord • • 1pc.</p> 	<p>Communication Cable (length : 60cm) • • 1pc.</p> 
<p>Motor Communication Cord (length : 60cm) • • 1pc.</p> 	<p>Connector Cap (for Motor output) • • 5pcs.*1</p> 	<p>Serial I / F Connector Cover • • 1pc.*1</p> 
<p>Nylon Tension Relief • • 1pc.</p> 	<p>Bracket • • 1set.</p> 	<p>Rubber Pad (4pcs.) • • 1set.</p> 
<p>Fuse • • 2pcs.</p> 	<p>Mounting Screw • • 5pcs.</p> 	<p>Air Plugs (φ4) • • 3pcs. (φ6) • • 2pcs.</p> 
<p>Operation Manual • • 1set</p> 		

*1 The Connector cap, Serial I / F Connector Cover are attached to the CONTROLLER.

3. WARRANTY

We provide a limited warranty for our products. We will repair or replace the products if the cause of failure is due to the following manufactures defects. Please contact us or your local distributor for details.

- (1) Defect in manufacturing.
- (2) Any shortage of components in the package.
- (3) Where damaged components are found when initially opening the package.
(This shall not apply if the damage was caused by the negligence of a customer.)

4. CONTACT US

For your safety and convenience when purchasing our products, we welcome your questions. If you have any questions about operation, maintenance and repair of the product, please contact us.

Contact Us

● For U.S. Market

Company Name : **NSK America Corp.**
Industrial Div.
Business Hours : 8:00 to 17:00 (CST)
(closed Saturday, Sunday and Public Holidays)
U.S. Toll Free No. : +1 800 585 4675
Telephone No. : +1 847 843 7664
Fax No. : +1 847 843 7622
Website : www.nskamericacorp.com

● For Other Markets

Company Name : **NAKANISHI INC.** 
Business Hours : 8:00 to 17:00 (JST)
(closed Saturday, Sunday and Public Holidays)
Telephone No. : +81 289 64 3520
e-mail : webmaster-ie@nsk-nakanishi.co.jp

5. FEATURES

- ① Up to 4 motors can be connected to selector providing individual control of each motor.
(4 motors cannot be run simultaneously)
- ② External control signals and external monitoring can be done with the E3000 CONTROLLER and E3000 SELECTOR Combination. Control and monitoring input and output signals will all be connected to Input / Output connector A / B on the E3000 CONTROLLER.
- ③ Wide speed range, 1,000 - 80,000 min⁻¹ (rpm) makes high precision machining possible.
- ④ Compact SELECTOR design allows easy installation in space restricted machines.
- ⑤ The SELECTOR is capable of being connected to AC 100V or AC 240V power sources. The Auto Sensing feature reduces installation time and eliminates the possibility of connecting the wrong voltage.

6. SPECIFICATIONS AND DIMENSIONS

6 - 1 Specifications

Product Name		E3000 SELECTOR
Model		NE212
Input Voltage		AC100 - 240V, 50 / 60Hz, 1PHASE, 0.15A
Input Voltage fluctuation		MAX. +/- 10%
Over Voltage Category		II
Pollution Degree		Class 2
Short Circuit Current Rating		35A
Speed Range		1,000 - 80,000min ⁻¹ (rpm) *Note 1
Weight		1.9kg
Dimensions		W88 x D138 x H238 mm
Operation Environment	Temperature	0 - 40°C
	Humidity	MAX. 75% (No condensation)
	Atmospheric pressure	800 - 1,060hPa
Installation Area		Indoor use
Transportation and Storage Environment	Temperature	-10 - 50°C
	Humidity	10 - 85 %
	Atmospheric pressure	500 - 1,060 hPa
Height above Sea Level		Less than 2000 m




*Note 1 : Motor Speed Limited Area

Motor speed limits depend on the Motor Model. Before using, refer to the " 6 - 1 Specifications

Note : 1 " section of the E3000 CONTROLLER Operation Manual.

6 - 2 Compatibility

(1) The E3000 SELECTOR is compatible with the following overseas safety standards.

- Safety standard in North America (UL,CSA) 
 UL61010-1 CSA C22.2 No.61010-1
- EC Directive 
 Low Voltage Directive IEC/EN61010-1
 EMC Directive EMS : EN61000 -6 -2
 EMI : EN61000 -6 -4
- RoHS Directive 2011/65EU, (EU) 2015/863
- United Kingdom Conformity Assessed (UKCA) marking 

6 - 3 Outside View

*Below is an outside view with Brackets (Standard Accessory) attached.

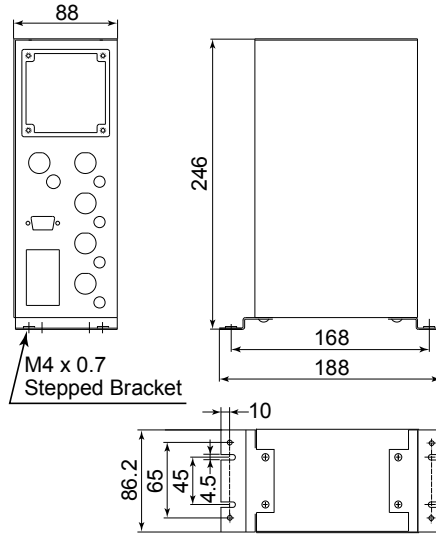


Fig. 1 Bottom Mounting

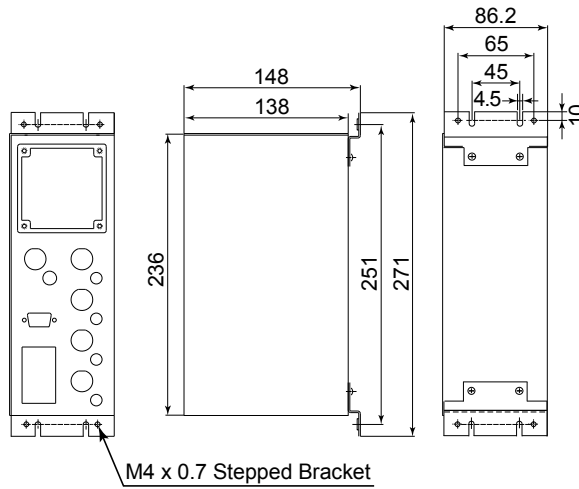


Fig. 2 Rear Mounting

7. CONTROL PANEL FEATURES

7 - 1 System

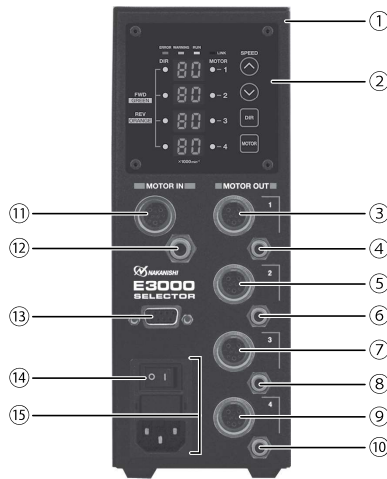


Fig. 3

① E3000 SELECTOR

② Control Panel

Refer to " 7 - 2 Control Panel Details " section.

③⑤⑦⑨ Motor Output Connector

Connects the Motor Cord Plug to the SELECTOR. Attach the provided Connector Caps (for Motor output) for safety and dust proofing when not using other Motor Output Connector.

④⑥⑧⑩ Air Output Joint

Supply clean, dry, regulated air for motor and spindle cooling and purging. Attach the provided Air Plugs ($\phi 4$) for air stoppage) for safety and dust proofing, when not using other air output joints.

⑪ Motor Input Connector

Connects the Motor Communication Cord (length : 60cm) from the E3000 CONTROLLER Motor Connector to the SELECTOR Motor Input Connector.

⑫ Air Input Joint

Supply clean, dry, regulated air for motor cooling. Regulate air pressure to 0.35MPa (50.8psi). Max. Air Consumption 120N ℓ /min. Air must be supplied to operate the system correctly.



CAUTION

If the air pressure is too low the E3000 CONTROLLER and SELECTOR will not operate.

⑬ Serial I/F Connector

Connect the provided Communication Cable to the E3000 CONTROLLER Serial I/F Connector to the E3000 SELECTOR Serial I/F Connector. Attach the provided Serial I/F Connector Cover for safety and dust proofing, when not using E3000 SELECTOR.

⑭ Main Power Switch

ON / OFF main power source. The designation " I " Indicates ON. The designation " O " Indicates OFF.

⑮ Main Power Inlet with Power Supply Fuses

Insert the Power Cord Plug. Refer to " 10. POWER CORD CONNECTION " section.

Two fuses (T1.6AL (250V)) have been installed. Make sure the proper rated and type of fuses when replacements are necessary.

When replacing fuses, refer to " 8. REPLACING THE FUSES " section.

7 - 2 Control Panel Details

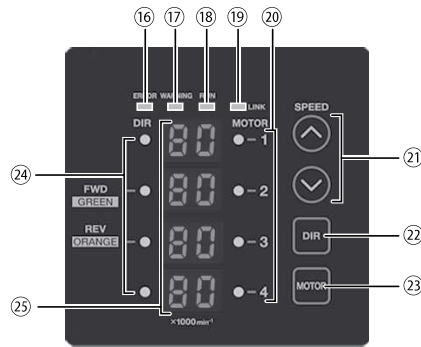


Fig. 4

- ①⑥ Error LED (ERROR)
When a problem with the E3000 SELECTOR, or motor alarms are detected, this LED illuminates. The motor may shut down and the Digital Speed Indicator in E3000 CONTROLLER Control Panel will display an error code.
- ①⑦ Warning LED (WARNING)
The operating and working conditions of the E3000 SELECTOR and motor are constantly monitored and the Warning LED flashes when a hazardous condition has been detected. When a hazardous condition is detected the Warning LED flashes and the Digital Speed Indicator on E3000 CONTROLLER Control Panel alternates between the warning code and the actual or preset speed, depending on whether or not the motor spindle is rotating or not.
- ①⑧ Rotating LED (RUN)
When the motor is rotating this LED will illuminate.
- ①⑨ LINK LED (LINK)
LINK LED illuminates when E3000 SELECTOR is correctly connected to E3000 CONTROLLER. Confirm that the LINK LED lights after connecting the provided Communication Cable.
- ②⑩ Selection motor LED
The LED corresponds to the selected motor port.
- ②① Motor Speed Adjustment Button (SPEED ⬆️, ⬇️)
Manual adjustable speed control is possible. (⬆️ (UP) or ⬇️ (DOWN)) (1 digit is 1,000min⁻¹ (rpm).)
- ②② Rotation Direction Button (DIR)
Right hand rotation (FWD.) and left hand rotation (REV.) are as viewed with the cutting tool facing the operator. With the cutting tool facing the operator right hand rotation (FWD.) will be clockwise rotation.
- ②③ Motor Selection Button (MOTOR)
Select the motor to be controlled, either motor (No.1 / No.2 / No.3 / No.4 motor.)
If motor No.1 selected, LED ②⑩ (Motor -1) illuminates.
- ②④ Motor Rotation Direction LED
LED illuminates Green indicates Right hand rotation (FWD.).
LED illuminates Orange indicates Left hand rotation (REV.).
- ②⑤ Digital Speed Indicator
Preset speed, actual speed are displayed in 2 digit format.

8. REPLACING THE FUSES

⚠ WARNING

- Before removing the fuse holder and fuses, be sure that the Main Power Switch ⑭ is turned OFF and remove the Power Cord has been removed from the SELECTOR.
- Verify type and use only following the properly rated and type of fuse.
Specified fuses : T1.6AL (250V)
*Failure to use the proper type and rated fuse will result in fire, injury, electric shock and / or product damage.

- (1) Push on the clips on the right and left of the fuse holder and remove the fuse holder block.
- (2) Remove the bad fuse or fuses and replace with the proper type and rating of fuse by the input voltage being used.
- (3) Replace the fuse holder containing the fuses into the Main Power Inlet with Power Supply Fuses ⑮ and verify it snapped in place.



Fig. 5

9. BRACKET AND RUBBER PAD INSTALLATION

9 - 1 Installation of the Bracke

⚠ CAUTION

- If there is a possibility for the SELECTOR from its mounting location, be sure to secure it with the provided Brackets for safety.
- When installing the SELECTOR, be sure to protect the SELECTOR (air joints and other connectors) from cutting oil, mist oil, powder dust, other contaminants that can buildup heat and damage to the internal components of the SELECTOR.

The Bracket can be installed on the " Bottom Mounting (Fig. 6) " and on the " Rear Mounting (Fig. 7) " of the SELECTOR.

- (1) Attach the Installation Brackets (2pcs.) using the provided mounting screws (4pcs.).
- (2) Attach the SELECTOR (Bracket's Slotted Area) to the machine using the provided mounting screws.

Bottom Mounting

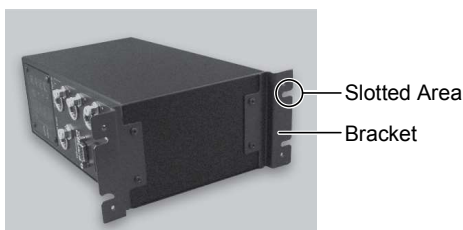


Fig. 6

Rear Mounting

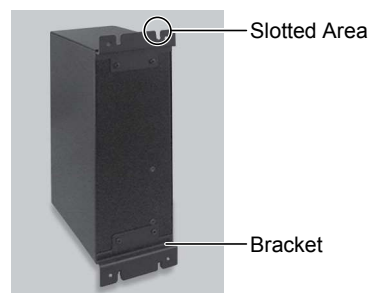


Fig. 7

9 - 2 Installation of the Rubber Pad

⚠ Caution when installing the SELECTOR horizontally

- When rotating the direction of Control Panel ②, ensure that the Main Power Switch ⑭ is turned OFF and the Power Cord has been removed from the SELECTOR.
- Never the install the SELECTOR with the Control Panel ② upward. This may allow debris to enter the SELECTOR causing electric shock or fire.

When placing the SELECTOR horizontally, the Rubber Pads (Provided) must be installed on the side of the SELECTOR.

The Control Panel ② can be rotated 90° from the original position. To rotate, remove the 4 Control Panel Mounting Screws attached to Control Panel ②. Change position of the Control panel ② and re-install the 4 Control Panel Mounting Screws.

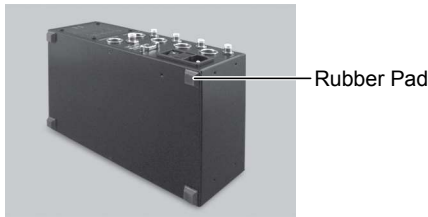


Fig. 8

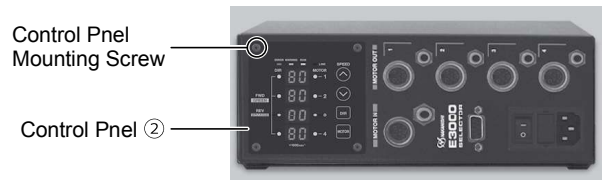


Fig. 9

9 - 3 Proper Clearance

⚠ CAUTION

When installing 2 or more CONTROLLER's in the machine cabinet, make sure to check that each unit has the proper clearance on all sides for sufficient air flow. Insufficient clearance will cause heat damage to the CONTROLLER and SELECTOR.

When installing the CONTROLLER and SELECTOR, refer to Fig. 10 and Fig. 11.

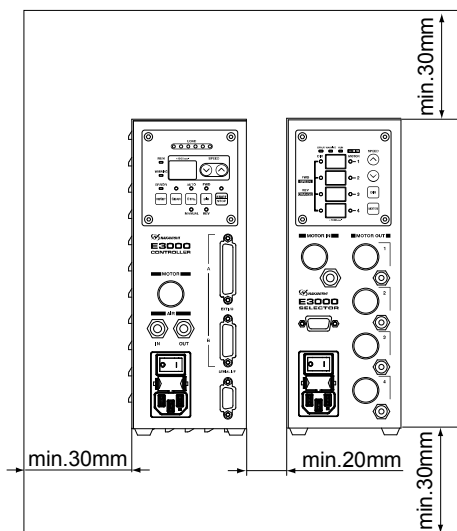


Fig. 10 Vertical Mounting

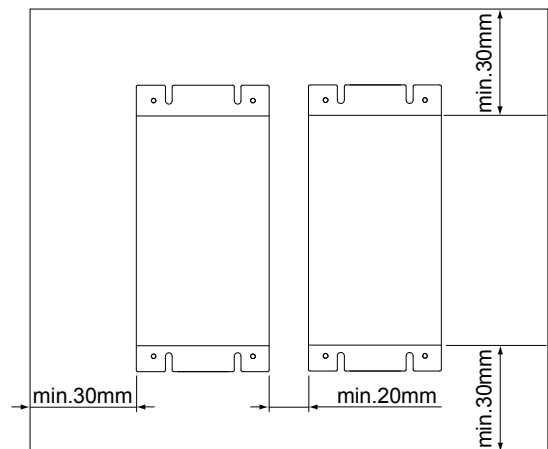


Fig. 11 Horizontal Mounting

10. POWER CORD CONNECTION

⚠ WARNING

Only use grounded power sources. Failure to properly ground the SELECTOR may result in electric shock, injury, fire and / or damage to the system components.

⚠ CAUTION

- When connecting the Power Cord Plug, make sure the Main Power Switch ⑭ is turned OFF.
- When installing the SELECTOR, provide space of approximately 10cm around the SELECTOR for easy access to the air inlet and the Power Cord Plug.

- (1) Insert the female Power Cord Plug into the Main Power Inlet with Power Supply Fuses ⑮ on the front of the SELECTOR.
- (2) A tapped hole is provided on the lower, right side of the SELECTOR for attaching the tension relief. Use the provided nylon tension relief to attach the Power Cord to the side of the SELECTOR when mounting vertically.
*When placing the SELECTOR horizontally (Fig. 12), do not use the provided nylon tension relief to attach the Power Cord to the side of the SELECTOR.

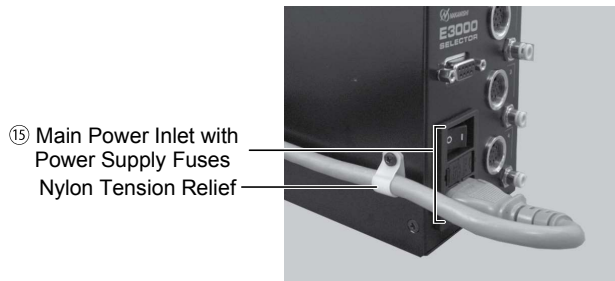


Fig. 12

11. MOTOR CORD CONNECTION

⚠ CAUTION

Before connecting to the Motor Cord Plug, make sure the Main Power Switch ⑭ is turned OFF. If the Main Power Switch ⑭ is turned ON while connecting the Motor Cord Plug, damage may occur to the SELECTOR.

- (1) Ensure the alignment pin is located upward (12 o'clock position).
- (2) Carefully insert the Alignment Pin into the Alignment Hole and push straight into the Motor Output Connector on the front of the SELECTOR.
- (3) Tighten the Connector Nut.

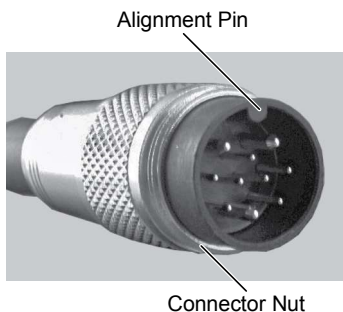


Fig. 13



Fig. 14

12. CONNECTION OF THE E3000 CONTROLLER TO THE SELECTOR

12 - 1 Connection of the Motor Communication Cord to the SELECTOR

Connect the provided Motor Communication Cord (length : 60 cm) from the SELECTOR to Motor Connector on the E3000 CONTROLLER.

Motor Input Connector ⑪ refer to " 11. MOTOR CORD CONNECTION " section.

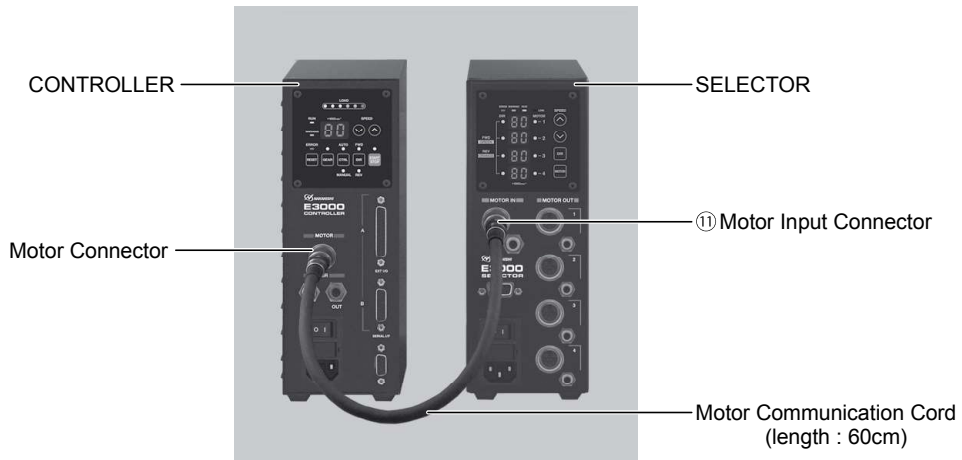


Fig. 15

12 - 2 Connection of Communication Cable



CAUTION

Never use the provided Communication Cable for any purpose other than connection between the CONTROLLER and SELECTOR. Do not use any cable other than the provided Communication Cable for data transfer between the CONTROLLER and SELECTOR. Failure to adhere to this caution could cause damage to the CONTROLLER and SELECTOR.

Connect provided Communication Cable (length : 60 cm) to Serial I / F Connector on the E3000 CONTROLLER and Serial I / F Connector ⑬ on the E3000 SELECTOR. After connecting, be sure to tighten the mounting screws of the Communication Cable (length : 60cm).

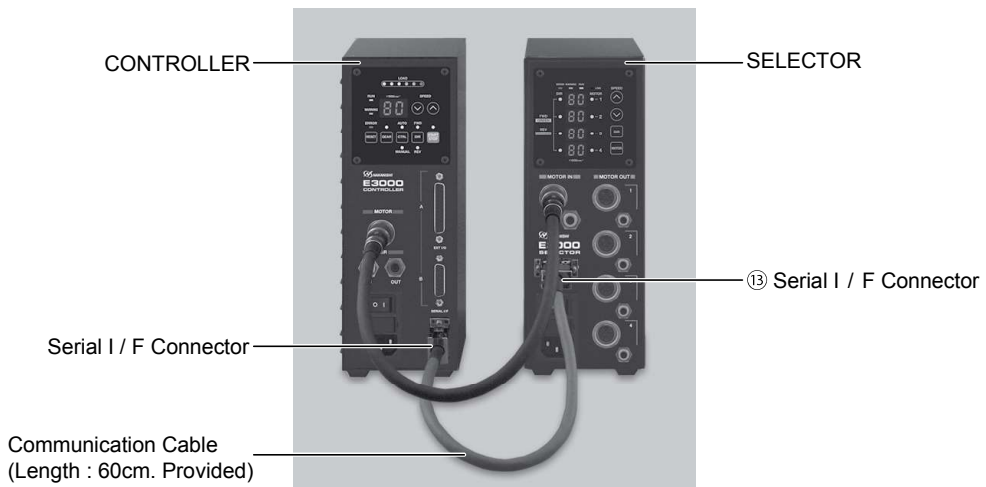


Fig. 16

12 - 3 Connection of Motor Cord



CAUTION

Attach the provided Connector Cap (for Motor Output) for safety and dust proofing when not using additional Motor Output Connector.

Connect to the Motor Cord Plug of the motor spindle to the Motor Output Connector 1 - 4 (③ , ⑤ , ⑦ , ⑨) on the SELECTOR. (Refer to " 11. MOTOR CORD CONNECTION " section.)

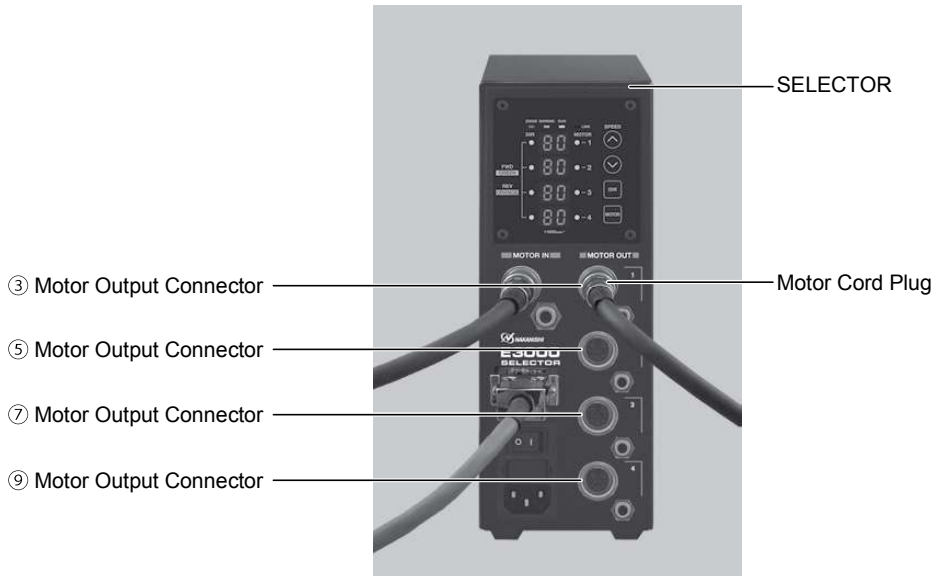


Fig. 17

12 - 4 Connection of the Air Hose

(1) Connection to the Air Input Joint



CAUTION

When not using NAKANISHI Air Line Kit, make sure that the incoming air supply is dry, clean and properly regulated.

Insert the provided $\phi 6$ mm air hose with filter from the AL - C1204 Air Line Kit into the Air Input Joint ⑫ on the front of the SELECTOR.

(2) Connection of Air Output Joint



CAUTION

Attach the provided air plug (for air stoppage) for safety and dust proofing when not using the air output joint on the CONTROLLER.

Insert one end of the provided $\phi 4$ mm cooling air hose into the air Output Joint (④ , ⑥ , ⑧ , ⑩) on the front of the SELECTOR. Insert another end of air hose to air joint at the rear of the motor spindle.

(3) Air Pressure Adjustment

Regulate air pressure 0.35MPa (50.8psi).

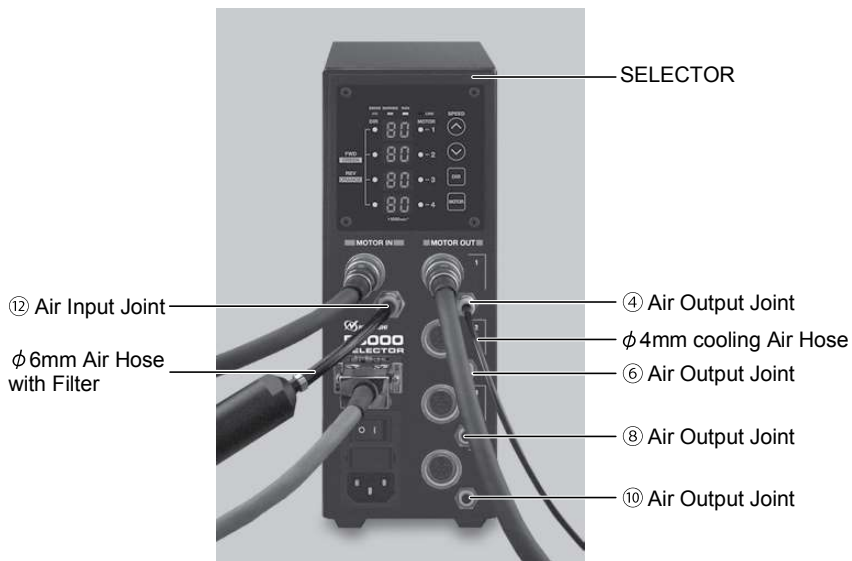


Fig. 18

(4) CONTROLLER to SELECTOR Connections



Fig. 19

CAUTION

- Regulate the air supply 0.35MPa (50.8psi). If the air pressure is too low, the CONTROLLER will not operate and an Error code will be generated.
- When using SELECTOR, it is not necessary to supply the cooling air to CONTROLLER. Insert the provided Air Plug (for air stoppage : $\phi 6$) into the CONTROLLER'S Air Input Joint and Air Output Joint.

⚠ CAUTION

- The cooling air also provides Air Purge protection to the motor spindle. If the Main Power Switch ⑭ is turned OFF, the cooling air will continue to flow. When using the CONTROLLER and SELECTOR without supplying cooling air change setting parameter " P7 Selection of Air Input Monitoring Override " of the CONTROLLER to on. Never spray coolant directly on the spindle body without an Air Purge.
- Check that cooling air is being supplied to the motor spindle. Ensure that the cooling air hose is properly connected to the motor spindle and the SELECTOR. Failure to connect the air hose properly or supply the proper amount of cooling air to the motor will cause damage to the motor spindle.
- When plumbing the hose, never apply excessive force to the hose as it can easily become bent or broken. Failure to supply proper air may cause damage to the motor spindle.
- Never supply over the regulated air pressure. There is a possibility to damage to the air detection sensor inside the SELECTOR.
- The air detect function with the SELECTOR detects air input supply only. If the Air Out hose is damaged from the SELECTOR, it will not be able to detect the lack of cooling and purging air to the motor spindle.

13. OPERATION PROCEDURES

13 - 1 Select Control Mode (MANUAL / AUTO)

(Select the Control Button (CTRL) ① of the Fig. 20 CONTROLLER Control Panel.)

- (1) When manually operating with the CONTROLLER Control Panel, push the Control Button (CTRL) ① of Fig .20 and select MANUAL. The Manual LED will illuminate.
- (2) When operating from an External Signal Source, push the Control Button (CTRL) ① of Fig .20 and select AUTO.
 - MANUAL Mode : Controlled by Control Panel ②.
 - AUTO Mode : Controlled by Input / Output Connector A ③ and from an External Signal Source.



Fig. 20 CONTROLLER Control Panel

13 - 2 Setting Motor Rotating Direction, Gear Ratio (GEAR), Motor Start / Stop, Motor Speed

13 - 2 - 1 Manual Mode Operation

When using Manual Mode with the CONTROLLER and SELECTOR combination, the following functions will be controlled from the front panel of the respective units.

E3000 CONTROLLER	E3000 SELECTOR
Gear mode operation and selection Motor Start / Stop	Motor Speed
	Motor Selection
	Rotating Direction
	500min ⁻¹ (rpm) Rotation

- (1) Set Motor Selection (Set the Motor Selection Button (MOTOR) ⑳ of the Fig. 22 SELECTOR Control Panel.)
Motor No.1 - No.4 (③ , ⑤ , ⑦ , ⑨) is selected by pushing the Motor Selection Button (MOTOR) ⑳ . LED ㉔
The corresponding motor selected LED will be illuminated.
- (2) Set Motor Rotating Direction (Set the Rotation Direction Button (DIR) ㉒ of the Fig. 22 SELECTOR Control Panel.)
Check the color of LED ㉔ to verify Motor Direction.
Green : Right hand rotation (FWD.)
Orange : Left hand rotation (REV.)
When changing direction, push the Rotation Direction Button (DIR) ㉒ .
With the cutting tool facing the operator, right hand rotation (FWD.) will be clockwise rotation.
- (3) Set 500 min⁻¹ (rpm) Centering Rotation.
(Set the Motor Speed Adjustment Button (SPEED ⬆️ , ⬇️) ㉑ of the Fig. 22 SELECTOR Control Panel.)

⚠️ CAUTION

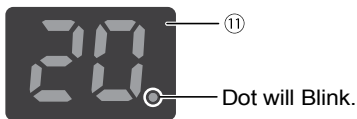
Never attempt to cut while rotating in Centering Mode.

To select 0.5 (500 min⁻¹ (rpm)), push the Motor Speed Adjustment Button (SPEED ⬆️ , ⬇️) ㉑ .

When controlling motor speed from 1,000 min⁻¹ (rpm) to 500 min⁻¹ (rpm) or from 500 min⁻¹ (rpm) to 1,000 min⁻¹ (rpm), stop the motor spindle prior to changing speed.

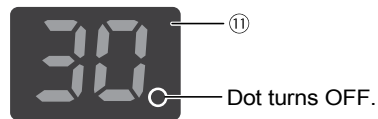
- (4) Setting Gear Ratio (Set the Gear Mode Select Button (GEAR) ㉓ of the Fig. 23 CONTROLLER Control Panel.)
Push the Gear Mode Select Button (GEAR) ㉓ . (GEAR LED will light.) Check the gear ratio of the spindle or reducer combination being used. Select the appropriate gear ratio, by pushing the Motor Speed Adjustment Button (SPEED ⬆️ , ⬇️) ㉑ . Display Speed Indicator ㉕ , will show the 6 possible gear ratios : 1.0, 1.5, 2.7, 4.0, 6.0, 16.
If a GEAR ratio is set other than " 1.0 ", the dot displayed on Digital Speed Indicator ㉕ will blink.
(Refer to Fig.21.)
If you are not using a speed reducer or an angle type spindle, you do not need to set Gear Ratio Mode.
(Set Gear Ratio to 1.0)

When rotation speed is set 30,000min⁻¹ (rpm)
and Gear Ratio is set 1.5



When Gear Ratio " 1.5 / 2.7 / 4.0 / 6.0 / 16 " is set, the dot displayed on Digital Speed Indicator ㉕ will blink.

When rotation speed is set 30,000min⁻¹ (rpm)
and Gear Ratio is set 1.0



When Gear Ratio is set, the dot displayed on Digital Speed Indicator ㉕ will turn OFF.

Fig. 21

- (5) Setting Motor Speed (Set the Motor Speed Adjustment Button (SPEED ⬆️ , ⬇️) ㉑ of the Fig. 22 SELECTOR Control Panel).
Set the speed by pushing the Motor Speed Adjustment Button (SPEED ⬆️ , ⬇️) ㉑ .
 - Motor Speed Range is 1,000 - 80,000 min⁻¹ (rpm).
 - The motor speed is displayed in 1,000 min⁻¹ (rpm) increments. 80 equals 80,000 min⁻¹ (rpm).
 - When using Gear Mode the Digital Speed Indicator ㉕ will show Motor Speed changes at a slower rate than during operation at ratio 1.0.

*Motor Speed limits depend on the Motor Model. Before using it, refer to the " 6 - 1 Specifications Note : 1 " section of the E3000 CONTROLLER Operation Manual.

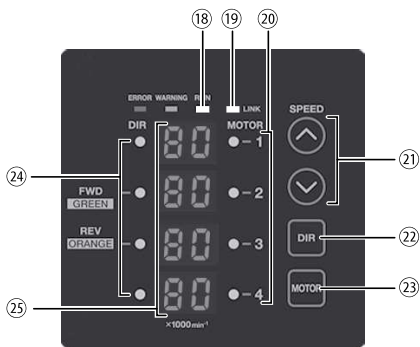


Fig. 22 SELECTOR Control Panel

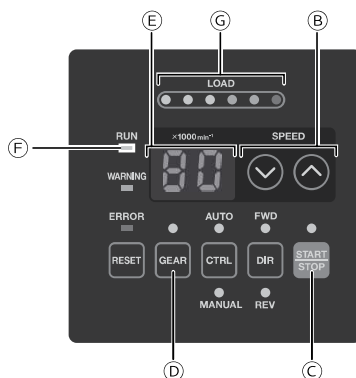


Fig. 23 CONTROLLER Control Panel

(6) Motor Start / Stop (Motor Start / Stop by pushing the START / STOP Button (START / STOP) © of the Fig. 23 CONTROLLER Control Panel)

The motor spindle will start and the LED will illuminate.

Push START / STOP Button (START / STOP) © and START / STOP again and the motor will stop and the LED will go out.

13 - 2 - 2 Setting Auto Mode

Use the Input / Output Connector A to input control signals to the CONTROLLER. (Except setting the gear ratio) Refer to " 14. EXTERNAL INPUT / OUTPUT CONNECTOR OF THE CONTROLLER " section.

(1) Set Motor Selection

Motor Selection Signal (Pin No. 5 : SEL1 and Pin No. 17 : SEL0) Select Motor by inputting signals in the following order. (Refer to Table. 2.)

Table. 2

Select Motor	SEL1 (Pin No.5)	SEL0 (Pin No.17)
Motor 1	OFF (Open)	OFF (Open)
Motor 2	OFF (Open)	ON (Close)
Motor 3	ON (Close)	OFF (Open)
Motor 4	ON (Close)	ON (Close)

(2) Set motor Rotating Direction

Input the " Rotating Direction Signal (Pin No. 2 : DIR_IN) "

Right hand rotation is ' OFF (Open) ' (" FWD ", LED will illuminate)

Left hand rotation is ' ON (Closed) ' (" REV ", LED will illuminate)

With the cutting tool facing the operator right hand rotation (FWD.) will be clockwise rotation.

(3) Set 500 min⁻¹(rpm) Centering Rotation

⚠ CAUTION

Never attempt to cut while rotating in centering mode.

Input the " Rotates Motor at " Centering " Speed (Pin No.16 : 500 min⁻¹ (rpm)) ".

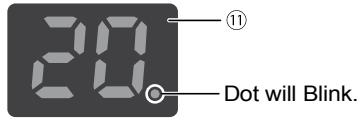
(4) Setting Gear Ratio (Set the Gear Mode Select Button (GEAR) © of the Fig. 23 CONTROLLER Control Panel)

Push the Gear Mode Select Button © . (GEAR LED will be illuminated.) Check the gear ratio of the spindle or reducer combination being used, select the appropriate gear ratio, by pushing the Motor Speed Adjustment Button (SPEED ⬆, ⬇) © . Display Speed Indicator © , will show the 6 possible gear ratios : 1.0, 1.5, 2.7, 4.0, 6.0, 16.

If GEAR ratio is set other than "1.0", the dot displayed on Display Speed Indicator © will blink. (Refer to Fig.24.)

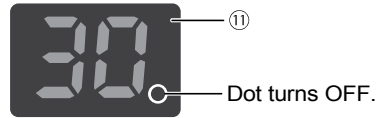
If you are not using a speed reducer, or an angle type spindle, you do not need to set Gear Ratio Mode. (Set Gear Ratio to 1.0)

When rotation speed is set 30,000min⁻¹ (rpm) and Gear Ratio is set 1.5



When Gear Ratio "1.5 / 2.7 / 4.0 / 6.0 / 16" is set, the dot displayed on Digital Speed Indicator ⑪ will blink.

When rotation speed is set 30,000min⁻¹ (rpm) and Gear Ratio is set 1.0



When Gear Ratio is set, the dot displayed on Digital Speed Indicator ⑪ will turn OFF.

Fig. 24

(5) Setting the Motor Speed

- Motor Speed Range is 1,000 - 80,000 min⁻¹ (rpm). Limit the motor speed depends on motor and spindle model. Setting parameter (P2), allows the Motor Speed to be adjusted in Auto Mode using the Motor Speed Adjustment Button (SPEED ▲, ▼) ② of the Fig .22.

(Refer to " 18 - 4 ② (P2) Setting AUTO Mode for Motor Speed Control " section of the E3000 CONTROLLER Operation Manual.

Rotation speed can be set by the following 3 methods.

① Setting by the Analog signal

Input the " Motor Speed Control Voltage (Pin No. 23 : VR) ".

Refer to " 14 EXTERNAL INPUT / OUTPUT CONNECTOR OF THE CONTROLLER (3) Input / Output Signal ④ Motor Speed Control Signal " section.

When using the motor with specification of 80,000min⁻¹ (rpm), set parameter (PB) of the CONTROLLER. This will change the Motor Speed Characteristics of the motor speed and Speed Control Voltage Signal characteristics. (Refer to " 18 - 4 ⑧ (PB) Selection of Motor Speed Control Voltage / DC+10V Signal Method " section of the E3000 CONTROLLER Operation Manual.)

② Setting by the Pulse Signal

Set parameter (PS) of the CONTROLLER. (Refer to " 18 - 4 ⑤ (PS) Selection of External Speed Control Mode " section of the E3000 CONTROLLER Operation Manual.)

Input the " Count Pulse Signal for Setting Motor Speed (Pin No.3 : CNT_IN) " and " UP / DOWN Signal for Setting Motor Speed (Pin No.15 : UD_IN) ".

One pulse will increase or decrease 1,000min⁻¹ (rpm) in Spindle Speed. Counted on the leading edge of the signal. " UP / DOWN Signal for Setting Motor Speed (Pin No. 15 : UD_IN) " is ' ON (Closed) ' : Increase speed, ' OFF (Open) ' : Decrease speed.

③ Set by the Speed Point Signal

⚠ CAUTION

When connecting the CONTROLLER to the SELECTOR, setting the Speed Point Signal is not possible.

(6) Motor Start / Stop

Input the " Rotate Command (Pin No.14 : START) ".

Motor rotating is ' ON (Closed) '.

When startup, RUN LED (RUN) ⑱ of the CONTROLLER and RUN LED (RUN) ⑫ of the SELECTOR will light and motor will rotate.

⚠ CAUTION

- When using the SELECTOR and CONTROLLER combination, if the LINK LED ⑲ on the CONTROLLER is not lit, data is not being passed to the CONTROLLER. In this case Motor Rotation Direction, Motor Speed, and Motor Selection Functions will not be able to be controlled from the SELECTOR. Please check the Communication Cable (length : 60cm, provided) connections and Communication Cable (length : 60cm, provided).
- If SELECTOR does not link properly to CONTROLLER, LINK LED ⑲ will not light, and motor speed will not be displayed. Check the link Communication Cable (length : 60cm, provided) between SELECTOR and CONTROLLER.

14. EXTERNAL INPUT / OUTPUT CONNECTOR OF THE CONTROLLER

Table. 3 details in External Input / Output Connector A Signals. Make sure to refer to the Operation Manual of the E3000 CONTROLLER.

⚠ WARNING

- **DO NOT** connect any circuit other than SELV (DC+24V) (Safety Extra Low Voltage) to the External Input / Output Connector A of the CONTROLLER. This will cause I / O board damage in the CONTROLLER.
- Do not supply over voltage or over current into the input / output circuit. Always install a LOAD (resistor) to the output circuit to eliminate the chance of damage to the CONTROLLER.

⚠ CAUTION

Input / Output Connector A DOES NOT use Pins No. 9 and No. 22. If pin No. 9 and No. 22 are connected, the CONTROLLER will be damage.

(1) Detail in External Input / Output Connector A Signal

Table. 3

Pin No.	Code	Function	Input / Output	Description	
1	COM_1	External Power source for External input	Input	DC0V or DC+24V	Power source to be used for External Inputs Signals.
2	DIR_IN	Rotating Direction Setting	Input	' OFF (Open) ': FWD. ' ON (Closed) ': REV.	Controls the rotational direction of the motor spindle. Setting parameter $P6$, can start with reverse rotation. (Refer to "18 - 3 ⑥ $P6$ Selection of External Motor Start Signal Control Mode" section of the E3000 CONTROLLER Operation Manual.)
3	CNT_IN	Count Pulse Signal for Setting Motor Speed	Input	' OFF (Open) ' → ' ON (Closed) '	One pulse will increase or decrease 1,000min ⁻¹ (rpm) in Spindle Speed depending on parameter $P5$ setting. (Refer to "18 - 3 ⑤ $P5$ Selection of External Speed Control Mode" section of the E3000 CONTROLLER Operation Manual.)
4	RESET	Error Release	Input	' ON (Closed) ' → ' OFF (Open) '	Error Code can be released and the system restarted by toggling this signal OFF and ON. Error will not be released until cause of the error has been removed.
5	SEL1	Motor Select 1	Input	—	Use when selecting motor, after connecting CONTROLLER to the SELECTOR. 4 motors can be selected by SEL0 and SEL1 combination. Refer to "15 - 2 - 2 (7) Motor Selection Table. 4 of the E3000 CONTROLLER Operation Manual.)
		Speed Point Select 1			

Pin No.	Code	Function	Input / Output	Description	
6	RUN	Rotating	Output	' OFF (Open) ' : Stop ' ON (Closed) ' : Rotating	Output shows that the motor is rotating.
7	DIR_OUT	Rotating Direction	Output	' OFF (Open) ' : FWD. ' ON (Closed) ' : REV.	Output shows the direction of the Motor is rotating.
8	ERR	Error	Output	' OFF (Open) ' : Error ' ON (Closed) ' : Normal	Output shows that error has occurred. Error code is displayed on the display of the E3000 CONTROLLER. The Error Code Logic can be reversed by setting Parameter P_1 . The Error Code Logic can be either Normally Open or Normally Closed depending on the P_1 Setting. In addition, the error code can be output as a patterned signal. For details, refer to "18. SETTING OF OPERATING PARAMETERS" in the E3000 CONTROLLER Operation Manual.
9	—	Not used	—	—	*Note : Never use pin labeled not used.
10	GND	Internal GND for Motor Speed Control Voltage	Output	Internal CONTROLLER GND	This GND will be used for "Motor Speed Control Voltage (VR)".
11	Vcc	Internal Power Source for Motor Speed Control Voltage	Output	Internal Power Source : DC+10V	Internal Power Source for "Motor Speed Control Voltage (VR)".
12	MOTOR_I	Motor Current Monitor	Output	2Amp / V, $0V \leq \text{MOTOR_I} \leq 10V$	Output Motor Current Monitor with Analog Monitor Voltage. 2Amp / 1V. Max. 20Amp.
13	GND	Internal GND for Analog Monitor	Output	Internal CONTROLLER GND	This GND will be used for analog monitor (MOTOR_I, SPEED_V, and LOAD).
14	START	Rotate Command	Input	' OFF (Open) ' : Stop ' ON (Closed) ' : Start	Motor Start and Motor Stop Signal Setting parameter P_6 , can start with forward rotation. (Refer to "18 - 3 $\textcircled{P_6}$ Selection of External Motor Start Signal Control Mode" section of the E3000 CONTROLLER Operation Manual.)
15	UD_IN	UP / DOWN Signal for Setting Motor Speed	Input	' OFF (Open) ' : Speed Down ' ON (Closed) ' : Speed Up	Determines speed up or speed down. Need to set parameter P_5 . (Refer to "18 - 3 $\textcircled{P_5}$ Selection of External Speed Control Mode" section of the E3000 CONTROLLER Operation Manual.)
16	500min ⁻¹ (rpm)	Rotates Motor at "Centering" speed	Input	' ON (Closed) ' : 500min ⁻¹ (rpm) ' OFF (Open) ' : Normal Operation	Set motor rotation speed is 500 min ⁻¹ (rpm). Use the Centering Mode.

Pin No.	Code	Function	Input / Output	Description	
17	SEL0	Motor Select 0	Input	—	Use when selecting motor, after connecting CONTROLLER to the SELECTOR. 4 motors can be selected by SEL0 and SEL1 combination. (Refer to "15 - 2 - 2 (7) Motor Selection Table. 4 of the E3000 CONTROLLER Operation Manual.)
		Speed Point Select 0			Note : When Connecting the CONTROLLER to the SELECTOR, "Speed Point Select 0" can not be used.
18	COM_2	External Power Source for External Output	Input	DC0V or DC+24V	Power source to be used for External outputs Signals.
19	PULSE	Rotating Pulse	Output	1 pulse / rotation	1 revolution of the motor generates one pulse. Duty 50%.
20	WARNING	WARNING	Output	' OFF (Open) ' : Normal Operation ' ON (Closed) ' : Warning	Output shows that warning has occurred. Warning code is displayed on the display of the E3000 CONTROLLER. By setting Parameter (PB), the Warning Code can be output as a patterned signal. For details, refer to "18. SETTING OF OPERATING PARAMETERS" in the E3000 CONTROLLER Operation Manual.
21	COIN	Speed Achievement	Output	' OFF (Open) ' : Set speed not achieved ' ON (Closed) ' : Set speed achieved	Shows that the Motor has achieved more than 90% of the set speed.
22	—	Not used	—	—	*Note : Never use a pin labeled not used.
23	VR	Motor Speed Control Voltage	Input	Speed (min ⁻¹ (rpm)) = Motor Speed Control Voltage (VR) x 10000 / 1.5 0V ≤ VR ≤ 10V	Sets rotating speed of motor. (For motors except 80,000min ⁻¹ (rpm) of motor) When using 80,000min ⁻¹ (rpm) of motor speed. Setting parameter (PB). (Refer to "18 - 3 ③ (PB) Selection of Motor Speed Control Voltage / DC+10V Signal Method" section of the E3000 CONTROLLER Operation Manual.) Refer to "Fig. 31, 32" about relationship between Motor Speed and Motor Speed Control Voltage (VR).
24	LOAD	Torque Load Monitor	Output	Torque Load Monitor (%) = Torque Load Monitor Voltage x 20	Shows that the torque being applied to the analog motor. 20% / V 100% (rating) / DC+5V Torque Load Monitor : 0 - 200% (0V ≤ LOAD ≤ 10V)
25	SPEED_V	Rotating Speed Analog Monitor Voltage	Output	10,000min ⁻¹ (rpm) / V	Output the rotation speed of rotating motor with Analog Monitor Voltage. 10,000min ⁻¹ (rpm) / V 0V ≤ SPEED_V ≤ 10V

(2) Input / Output Diagram

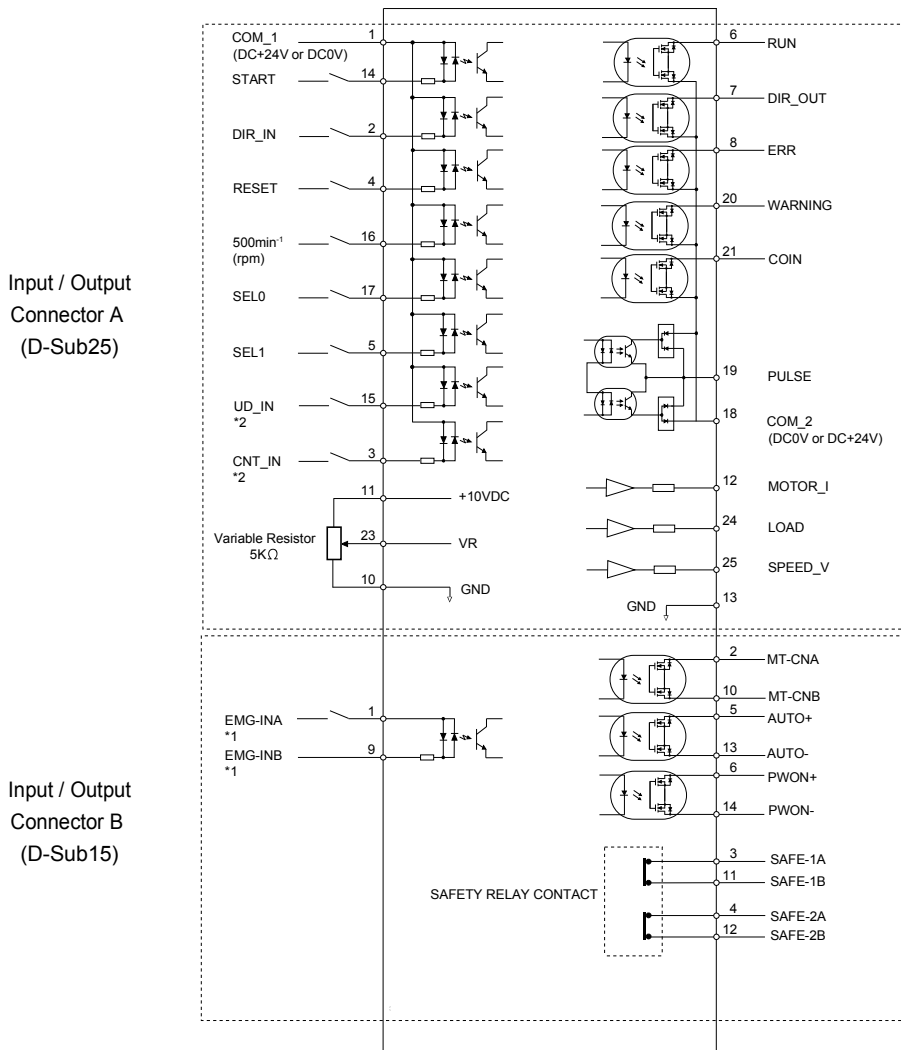


Fig. 25

- *1 When using the "EMG - IN" Signal, set parameter **P9** (Refer to "18 - 3 ⑨ **P9** Selection of Emergency Stop Function" section of the E3000 CONTROLLER Operation Manual.)
- *2 When using the "UD_IN and CNT_IN" Signal, set parameter **P5**. (Refer to "18 - 3 ⑤ **P5** Selection of External Speed Control Mode" section of the E3000 CONTROLLER Operation Manual.)

(3) Input / Output Signal

① Input Signal

There are 8 different input signals : "Rotate Command (START)", "Rotating Direction Setting (DIR_IN)", "Rotates Motor at "Centering" speed (500min^{-1} (rpm))", "Error Release (RESET)", "UP / DOWN Signal for Setting Motor Speed (UD_IN)", "Count Pulse Signal for Setting Motor Speed (CNT_IN)", "Motor Select 0 (SEL0)", and "Motor Select 1 (SEL1)". These signals are DC+24V signals from an external signal source. Please use a separate power source that is capable of supplying $\text{DC}+24\text{V} \pm 10\%$, 100mA. Refer to Fig. 26 for connections.

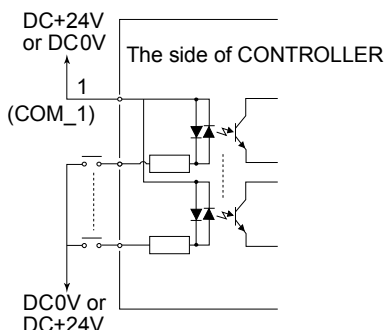


Fig. 26

② Output Signal I

There are 5 kinds of output signals : "Rotating (RUN)", "Rotating Direction (DIR_OUT)", "Error (ERR)", "WARNING (WARNING)" and "Speed Achievement (COIN)". These signals are MOSS Relay Contact Connections. The output current can be connected to either sinking and the sourcing.

Voltage and Current Specifications

- Applied Voltage (V) $\leq \text{DC}+30\text{V}$
- Working Current (Ip) $\leq 100\text{mA}$

Use an external power source for output circuits. It is recommended to use the same DC+24V power source used for input signals. Please refer to Fig. 27 for connections.

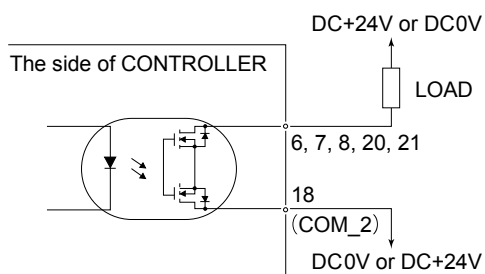


Fig. 27

③ Output Signal II

Refer to Fig. 28 regarding the Output Signal of the Rotating Pulse (PULSE). The output signal can be connected for either sinking or sourcing.

Voltage and Current Specifications

- Applied Voltage (V) \leq DC+30V
- Working Current (Ip) \leq 50mA

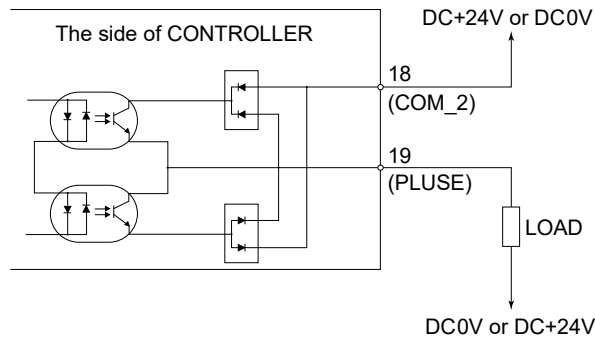


Fig. 28

④ Motor Speed Control Signal

Rotation Speed can be selected by, applying analog voltage to the " Motor Speed Control Voltage (VR) ". Refer to Fig. 29, 30 for connections. Refer to Fig. 31 about relationship between Motor Speed and " Motor Speed Control Voltage (VR) ".



CAUTION

When applying the VR, never input more than DC+10V (Fig. 30). This will cause serious damage to the I / O Board in the CONTROLLER.

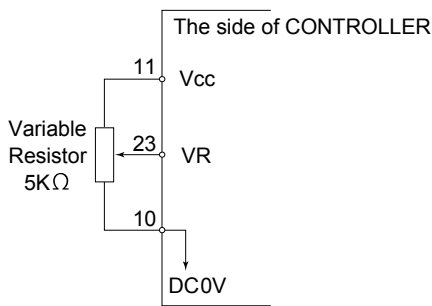


Fig. 29

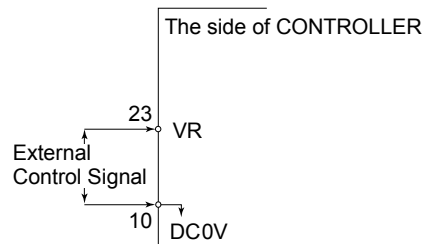


Fig. 30

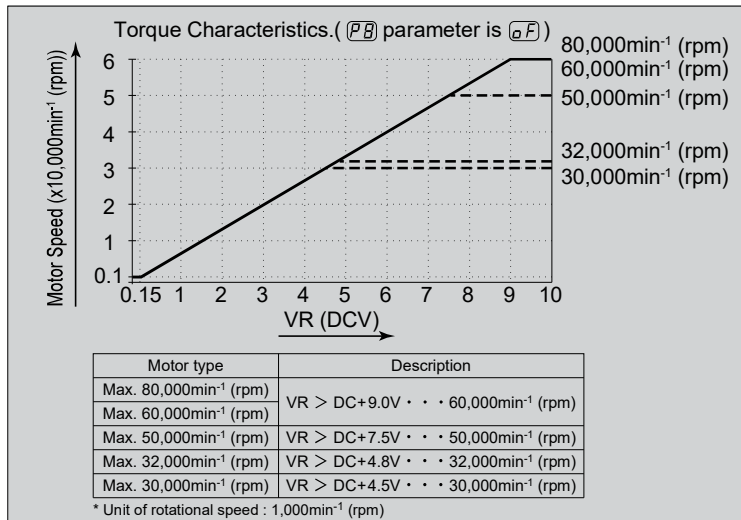


Fig. 31

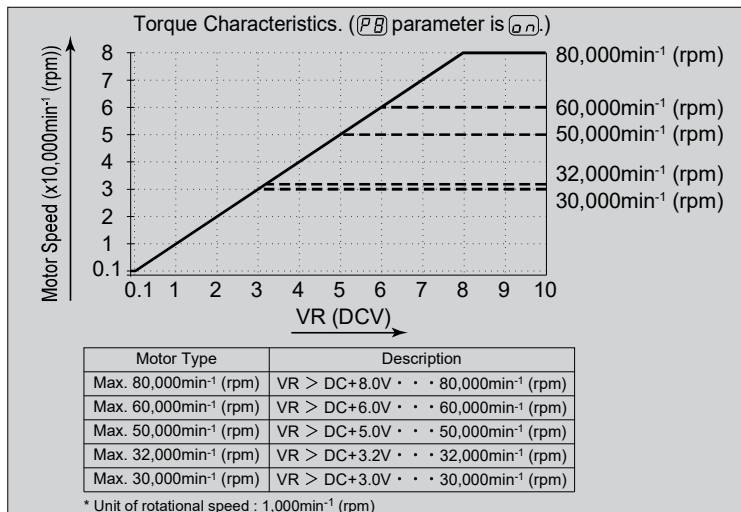


Fig. 32

⑤ Analog Monitor Signals

There are 3 types of monitoring signals : "Motor Current Monitor (MOTOR_I)", "Torque Load Monitor (LOAD)", and "Rotating Speed Analog Monitor Voltage (SPEED_V)". Please refer to Fig. 33 for connections.

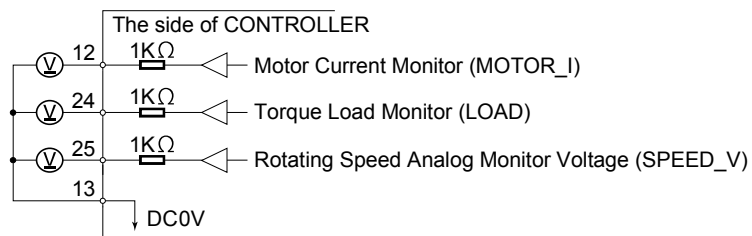


Fig. 33

15. TROUBLESHOOTING

If a problem or concern occurs, please check the following prior to consulting your dealer.
(Make sure read Operation Manual of the E3000 CONTROLLER.)

Trouble	Cause	Inspection / Corrective Action
Motor does not run.	Power is not supplied.	<ul style="list-style-type: none"> • Make sure to turn ON the Main Power Switch (14) on the front of the SELECTOR. • Insert the Power Cord Plug correctly into the Main Power Inlet with Power Supply Fuses (15) of the SELECTOR. • Check if the fuse is blown.
	Motor Cord (provided with SELECTOR) is not connected to the SELECTOR and CONTROLLER.	Connect the Motor Cord (for SELECTOR) correctly to the SELECTOR and CONTROLLER.
	Communication Cable is not connected to the SELECTOR and CONTROLLER.	Connect the Communication Cable correctly to the SELECTOR and CONTROLLER.
	Not using the Communication Cable (LINK LED (19) does not illuminate)	Use the Communication Cable.
	Control Button (CTRL) (A) is set to Manual mode but trying to start with an External Command Signal through Input / Output Connector A.	Start with the START / STOP Button (START / STOP) (C), or set the Control Button (CTRL) (A) on the Control Panel (2) of the E3000 CONTROLLER to Auto mode. (Fig. 23)
	Control Button (CTRL) (A) is set to Auto mode but trying to start with the START / STOP Button (START / STOP) (C) on the Control Panel (2). (Fig. 23)	Start with an External Command Signal or set the Control Button (A) on the Control Panel (2) to Manual mode. (Fig. 23)
	An Error has occurred (Error LED (16) is lit).	Check the " 17 - 3 Resetting System after Error Codes " (Refer to " 17 - 3 Resetting System after Error Codes Table 8 " of the E3000 CONTROLLER Operation Manual).
	Low air pressure (The Error Code " E7 " is displayed on the Digital Speed Indicator of the E3000 CONTROLLER).	Adjust to the air pressure 0.35MPa (50.8psi).
Motor speed is not displayed correctly.	Not using the Communication Cable. (LINK LED (19) does not illuminate.)	Install the Communication Cable.
	Not connect the air plug ($\phi 4$) to avoid Air Flow to Air Output Joint of Air Output Joint.	Insert the air plug ($\phi 4$) to avoid Air Flow to Air Output Joint when you don't use Air Output Joint.
	Parameter of CONTROLLER (P2) "Setting AUTO Mode for Motor Speed Control" is changed.	Set Parameter mode (P2) by External Input / Output Connector A Signal or control by the Button on Control Panel of the SELECTOR. (Refer to " 18 - 3 (2) (P2) Setting AUTO Mode for Motor Speed Control " section of the E3000 CONTROLLER Operation Manual.)

Trouble	Cause	Inspection / Corrective Action
Motor speed is not displayed correctly.	Motor Fixed Speed is set in the (P3) parameter.	Release parameter (P3). (Refer to " 18 - 3 ③ (P3) Setting Fixed Motor Speed " section of the E3000 CONTROLLER Operation Manual.)
	Motor Maximum Speed is set in the (P4) parameter.	Release parameter (P4). (Refer to " 18 - 3 ④ (P4) Setting Maximum Motor Speed " section of the E3000 CONTROLLER Operation Manual.)
	Air Input Monitoring Override is set in the (P7) parameter and the motor's maximum speed is limited to 30,000 min ⁻¹ (rpm).	Release parameter (P7). Set the desired motor speed, by supplying the cooling air into the motor spindle. (Refer to " 18 - 3 ⑦ (P7) Selection of Air Input Monitoring Override " section of the E3000 CONTROLLER Operation Manual.)
	Motor spindle (motor speed of the 80,000min ⁻¹ (rpm)) is connected to the SELECTOR and (PB) parameter is set (oF).	Set (on) Parameter (PB). (Refer to " 18 - 3 ⑧ (PB) Selection of Motor Speed Control Voltage / DC+10V Signal Method " section of the E3000 CONTROLLER Operation Manual.)
Not change motor rotation direction.	Not using the Communication Cable. (LINK LED ⑱ does not illuminate.)	Use the Communication Cable.
	Control Mode is set to AUTO. (The Control Button (CTRL) is set to AUTO)	Set the control mode to MANUAL. (The Control Button (CTRL) is set to MANUAL on the control panel of the E3000 CONTROLLER.)
Motor stops during rotation.	Not using the Communication Cable (LINK LED ⑱ does not illuminate.)	Use the Communication Cable.
	Load level too high.	Check the Load monitor LED ⑥ and control motor speed. (Refer to Fig. 23)
	Low air pressure (The Error Code " E7 " is displayed on the Digital Speed Indicator of the E3000 CONTROLLER).	Adjust to the air pressure 0.35MPa (50.8psi).

*Refer to " 18 SETTING OF OPERATING PARAMETERS " section of the E3000 CONTROLLER.

16. DISPOSAL OF THE SELECTOR

When disposal of a SELECTOR is necessary, follow the instructions from your local government agency for proper disposal of industrial components.

取扱説明書のダウンロード ▶
Download operation manual



ウェブサイト ▶
Our website



株式会社ナカニシ

〒322-8666
栃木県鹿沼市下日向700
TEL: 0289-64-3380
FAX: 0289-62-5636
www.nakanishi-inc.com

NAKANISHI INC. 

700 Shimohinata, Kanuma
Tochigi 322-8666
Japan
www.nakanishi-inc.com

NSK America Corp.

1800 Global Parkway
Hoffman Estates
IL 60192, USA
www.nskamericacorp.com

NSK Europe GmbH 

Elly-Beinhorn-Strasse 8
65760 Eschborn
Germany

NSK United Kingdom Ltd.

UK Authorised Representative
Office 4, Gateway 1000
Arlington Business Park, Whittle Way
Stevenage, SG1 2FP, UK